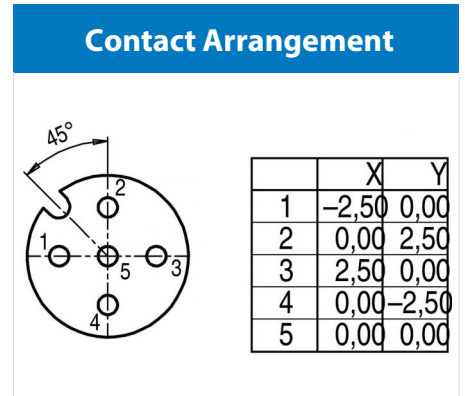
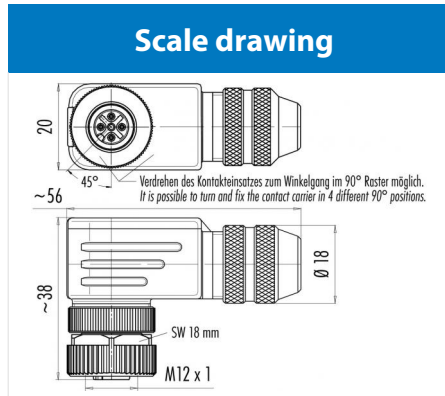


Product	Contacts: 5, Female angled connector, shieldable, screw terminal connection, static ring version, with UL approval	Area	M12-A Series 713
Pole	5	Article number	99 1436 824 05



You can find the item description on the next page.

Technical data

Common values

Connector Design	Female angled connector
Connector locking system	screw
Termination	Screwing
Wire gauge (mm)	0.75 mm ²
Wire gauge (AWG)	18
Cable outlet	4 - 6 mm
Upper temperature	85 °C
Lower temperature	-40 °C

Electrical values

Rated voltage	125 V
Rated impulse voltage	1500 V
Pollution degree	3
Overvoltage category	II
Material group	III
Rated current (40°C)	4 A
Volume resistivity	≤ 3 mΩ
EMV compliance	geschirmt
Degree of protection	IP67
Mechanical operation	> 100 mating cycles

Material

Material of contact	CuZn (Brass)
Contact plating	Au (Gold)
Material of contact body	PA
Material of housing	Nickel-plated zinc die casting

Contacts: 5, Cable outlet: 4-6 mm, female angled connector, shieldable, screw terminal connection, static ring version with die-cast threaded ring, with UL approval

Product	Contacts: 5, Female angled connector, shieldable, screw terminal connection, static ring version, with UL approval	Area	M12-A Series 713
Pole	5	Article number	99 1436 824 05

Item description

40
A abisolieren strip
abmanteln dismantle
6

Isolierhülse in Kupplungshülse fest verbaut
insulating sleeve tightly built into coupling sleeve

Schirm kürzen, aufweiten und auf Schirmring umschlagen
shorten and widening of shield and revert to shielding ring

Öffnungswerkzeug für Käfigzugfederversion
opening tool for wire clamp connection

	Schraubklemmversion screw connection	Lötversion solder version	Käfigzugfederversion wire clamp connection
Maß A/mm measure A/mm	5	3,5	7

Item description

Deckel
cover

Dichtung
seal

Gehäuse
housing

O-Ring
o-ring

Dichtung
seal

Schirmring
shielding ring

Klemmkorb
pinch ring

Druckschraubklemmversion
pressing screw connection

Isolierhülse in Kupplungshülse fest verbaut
insulating sleeve tightly built into coupling sleeve

Steckereinsatz
male insert

Buchseneinsatz
female insert