

# Product sheet

## Miniature connector

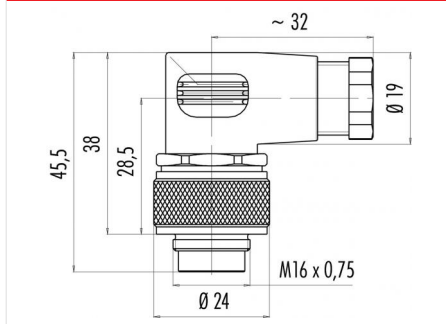


Product	<b>Contacts: 24, Male angled connector, cable outlet 6 - 8 mm</b>	Area	<b>M16 IP67 Series 723</b>
Pole	<b>24</b>	Article number	<b>99 0495 75 24</b>

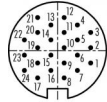
### Illustration



### Scale drawing



### Contact Arrangement



	X	Y
1	4,00	-1,50
2	4,00	0,35
3	4,00	2,20
4	2,40	3,10
5	2,40	1,30
6	2,40	-0,55
7	2,40	-2,40
8	0,80	-3,30
9	0,80	-1,50
10	0,80	0,35
11	0,80	2,20
12	0,80	4,00
13	-0,80	3,10
14	-0,80	1,30
15	-0,80	-0,55
16	-0,80	-2,40
17	-2,40	-3,30
18	-2,40	-1,50
19	-2,40	0,35
20	-2,40	2,20
21	-2,40	4,00
22	-4,00	1,30
23	-4,00	-0,55
24	-4,00	-2,40

You can find the item description on the next page.

## Technical data

### Common values

Connector Design	Male angled connector
Connector locking system	screw
Termination	Solder
Wire gauge (mm)	0.14 mm <sup>2</sup>
Wire gauge (AWG)	26
Cable outlet	6 - 8 mm
Upper temperature	95 °C
Lower temperature	-40 °C

### Electrical values

Rated voltage	60 V
Rated impulse voltage	500 V
Pollution degree	1
Overvoltage category	I
Material group	III
Rated current (40°C)	1 A
Volume resistivity	≤ 3 mΩ
EMV compliance	not shielded
Degree of protection	IP67
Mechanical operation	> 500 mating cycles

### Material

Material of contact	CuZn (Brass)
Contact plating	Au (Gold)
Material of contact body	PBT (UL 94 V-0)
Material of housing	PA (UL 94 HB)

Contacts: 24, Male angled connector, cable outlet 6 - 8 mm, gold plated contacts

# Product sheet

## Miniature connector



Product

**Contacts: 24, Male angled connector, cable outlet 6 - 8 mm**  
24

Area  
Article number

**M16 IP67 Series 723**  
**99 0495 75 24**

Pole

### Item description

