

# Product sheet

## Miniature connector

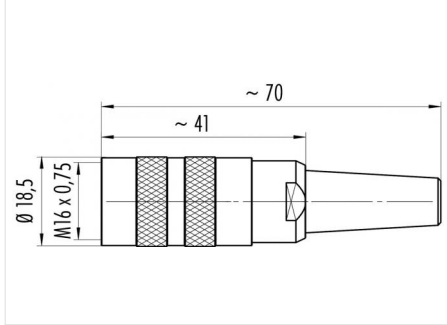


Product	<b>Contacts: 6 DIN, Female cable connector with cable clamp, CRIMP connection, shieldable, cable outlet 6 - 8 mm</b>	Area	<b>M16 IP40 Series 581</b>
Pole	<b>6</b>	Article number	<b>99 2022 702 06</b>

### Illustration



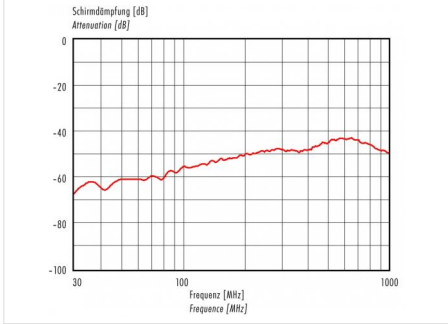
### Scale drawing



### Contact Arrangement

	X	Y
1	-3,03	-1,75
2	-3,03	1,75
3	0,00	3,50
4	3,03	1,75
5	3,03	-1,75
6	0,00	0,00

### Attenuation characteristic



You can find the item description and assembly instruction on the next page.

## Technical data

### Common values

Connector Design	Female cable connector
Connector locking system	screw
Termination	Crimp
Wire gauge (mm)	see crimp contacts under accessories
Wire gauge (AWG)	-
Cable outlet	6 - 8 mm
Upper temperature	85 °C
Lower temperature	-40 °C

### Electrical values

Rated voltage	250 V
Rated impulse voltage	1500 V
Pollution degree	1
Overvoltage category	I
Material group	III
Rated current (40°C)	5 A
Volume resistivity	≤ 5 mΩ
EMV compliance	shielded
Degree of protection	IP40
Mechanical operation	> 500 mating cycles

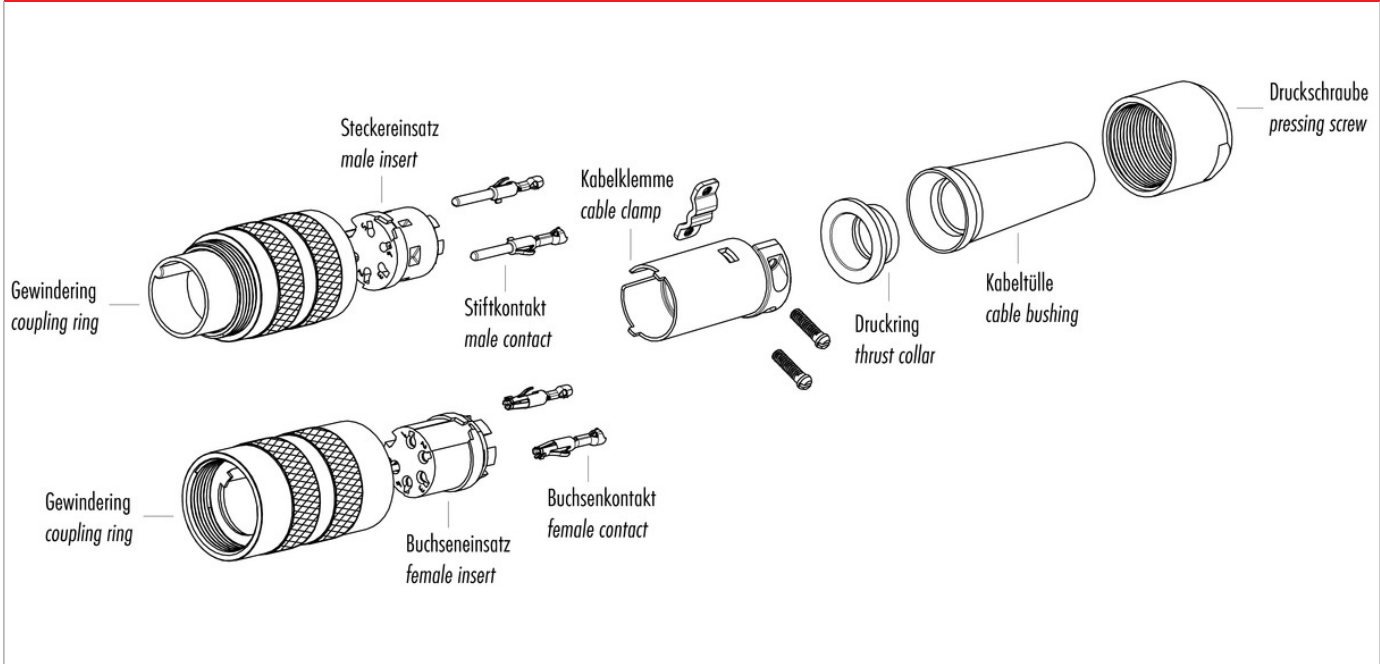
### Material

Material of contact	CuSn (Bronze)
Contact plating	Ag (Silver)
Material of contact body	PBT (UL 94 V-0)
Material of housing	CuZn (Brass nickel-plated)

**Contacts: 6 DIN, Female cable connector with cable clamp, CRIMP connection, shieldable, cable outlet 6 - 8 mm**

Product	<b>Contacts: 6 DIN, Female cable connector with cable clamp, CRIMP connection, shieldable, cable outlet 6 - 8 mm</b>	Area	<b>M16 IP40 Series 581</b>
Pole	<b>6</b>	Article number	<b>99 2022 702 06</b>

Item description



Installation instructions / Mounting cutout

