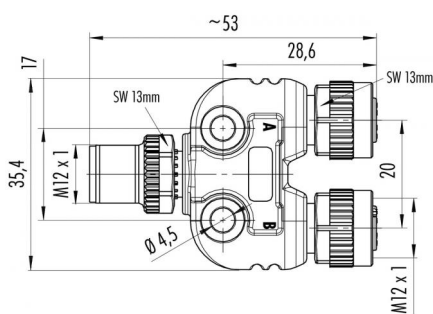


Product	<b>Contacts: 4/3, Double distributor, LED, male connector M12x1 - 2 female connectors M12x1</b>	Area	<b>Connecting cords Series 765</b>
Pole	<b>4/3</b>	Article number	<b>79 5236 00 04</b>

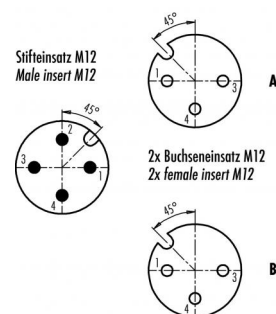
### Illustration



### Scale drawing



### Contact Arrangement



## Technical data

### Common values

Connector Design	Dual distributor
Connector locking system	screw
Termination	-
Wire gauge (mm)	-
Wire gauge (AWG)	-
Cable outlet	-
Upper temperature	85 °C
Lower temperature	-25 °C

### Electrical values

Rated voltage	30 V
Rated impulse voltage	800 V
Pollution degree	3
Overvoltage category	II
Material group	II
Rated current (40°C)	4 A
Volume resistivity	≤ 3 mΩ
EMV compliance	nicht geschirmt
Degree of protection	IP68
Mechanical operation	> 100 mating cycles

### Material

Material of contact	Pin/ CuZn (brass), socket/ CuSn (bronze)
Contact plating	Au (Gold)
Material of contact body	PUR
Material of housing	PUR

Contacts: 4/3, Double distributor, LED, male connector M12x1 - 2 female connectors M12x1