

# Product sheet

## Output connector

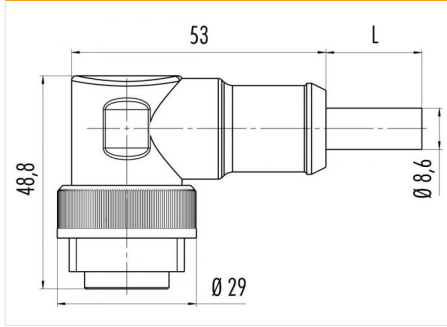


Product	<b>Contacts 6+PE, 7 x 0.75 PVC: male angled connector injection-moulded cable</b>	Area	<b>RD24 Power Series 692/693</b>
Pole	<b>6+PE</b>	Article number	<b>79 0237 20 07</b>

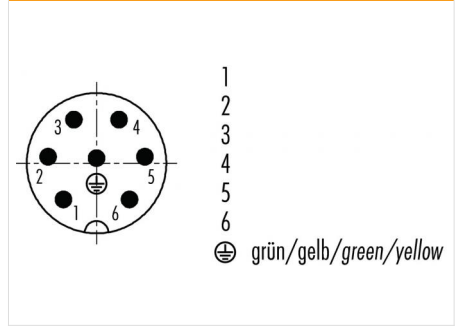
### Illustration



### Scale drawing



### Contact Arrangement



You can find the item description on the next page.

## Technical data

### Common values

Connector Design	Male angled connector
Connector locking system	screw
Termination	crimp, injection-moulded cable
Wire gauge (mm)	0.75 mm <sup>2</sup>
Wire gauge (AWG)	18
Cable outlet	-
Upper temperature	80 °C
Lower temperature	-25 °C

### Cable data

material housing	PVC black
Insulation single lead	PVC sw 1, sw 2, sw 3, green/yellow
Single lead structure	28x0.25 mm
Cable sheath Ø	8.6
Conductor resistance	-
Bending radius cable fixed	120 mm
Bending radius cable movable	60 mm
Approval	UL, CSA

### Electrical values

Rated voltage	250 V
Rated impulse voltage	4000 V
Pollution degree	3
Overvoltage category	III
Material group	III
Rated current (40°C)	8 A
Volume resistivity	≤ 5 mΩ
EMV compliance	not shielded
Degree of protection	IP67
Mechanical operation	> 500 mating cycles

### Material

Material of contact	CuZn (Brass)
Contact plating	Ag (Silver)
Material of contact body	PA 12
Material of housing	PUR

Contacts 6+PE, 7 x 0.75 PVC: Male angled connector, overmoulded on cable, cable length 2 m

Product

**Contacts 6+PE, 7 x 0.75 PVC: male angled connector injection-moulded cable 6+PE**

Area  
Article number

**RD24 Power Series 692/693  
79 0237 20 07**

Pole

Item description

