
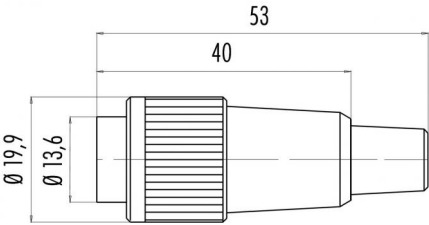
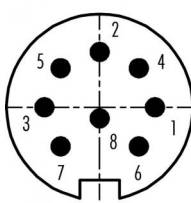


# Product sheet

## Miniature connector



Product	<b>Contacts: 8 DIN, cable plug connector, cable outlet 6 - 8 mm</b>	Area	<b>Bayonet IP40 Series 678</b>
Pole	<b>8 DIN</b>	Article number	<b>99 0645 02 08</b>

Illustration	Scale drawing	Contact Arrangement																											
		 <table border="1" style="margin-left: auto; margin-right: auto;"> <thead> <tr> <th></th> <th>X</th> <th>Y</th> </tr> </thead> <tbody> <tr><td>1</td><td>3,50</td><td>0,00</td></tr> <tr><td>2</td><td>0,00</td><td>3,50</td></tr> <tr><td>3</td><td>-3,50</td><td>0,00</td></tr> <tr><td>4</td><td>2,47</td><td>2,47</td></tr> <tr><td>5</td><td>-2,47</td><td>2,47</td></tr> <tr><td>6</td><td>2,47</td><td>-2,47</td></tr> <tr><td>7</td><td>-2,47</td><td>-2,47</td></tr> <tr><td>8</td><td>0,00</td><td>-0,70</td></tr> </tbody> </table>		X	Y	1	3,50	0,00	2	0,00	3,50	3	-3,50	0,00	4	2,47	2,47	5	-2,47	2,47	6	2,47	-2,47	7	-2,47	-2,47	8	0,00	-0,70
	X	Y																											
1	3,50	0,00																											
2	0,00	3,50																											
3	-3,50	0,00																											
4	2,47	2,47																											
5	-2,47	2,47																											
6	2,47	-2,47																											
7	-2,47	-2,47																											
8	0,00	-0,70																											

You can find the item description on the next page.

## Technical data

### Common values

Connector Design	Cable plug connector
Connector locking system	Bayonet
Termination	Solder
Wire gauge (mm)	0.75 mm <sup>2</sup>
Wire gauge (AWG)	20
Cable outlet	6 - 8 mm
Upper temperature	85 °C
Lower temperature	-40 °C

### Electrical values

Rated voltage	125 V
Rated impulse voltage	800 V
Pollution degree	1
Overvoltage category	I
Material group	III
Rated current (40°C)	5 A
Volume resistivity	≤ 5 mΩ
EMV compliance	not shieldable
Degree of protection	IP40
Mechanical operation	> 500 mating cycles

### Material

Material of contact	CuZn (Brass)
Contact plating	Ag (Silver)
Material of contact body	PBT (UL 94 V-0)
Material of housing	PA (UL 94 V-0)

Contacts: 8 DIN, cable plug connector, cable outlet 6 - 8 mm

**Product sheet**  
**Miniature connector**

Product

**Contacts: 8 DIN, cable plug connector,  
cable outlet 6 - 8 mm  
8 DIN**

Area  
Article number

**Bayonet IP40 Series 678  
99 0645 02 08**

Pole

**Item description**

