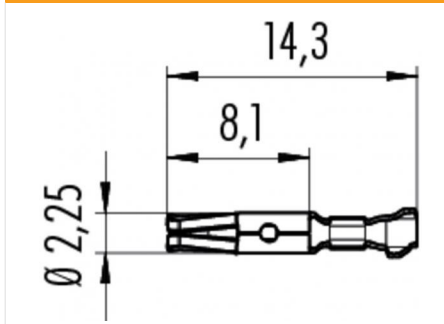


Product	Series 423/723/425, 581/680/682 - Socket contact strip 2000 each: Contact Ø 1.5 mm, insulation Ø 1.0 - 2.0 mm, cross-section: 0.35 - 0.5 mm <sup>2</sup> ; Conductor cross-section 0.35 mm <sup>2</sup> (AWG 22): Crimping dimensions (guide value): 0.93 - 1.1 mm, crimping extraction
Article number	65 0797 085 02

## Illustration



## Scale drawing



## Matching products

- Female cable connector with cable clamp, CRIMP connection, shieldable, cable outlet 4 - 6 mm
- Female cable connector with cable clamp, CRIMP connection, shieldable, cable outlet 6 - 8 mm
- Female panel mount connector, crimp
- Female panel mount connector, crimp, screwed from front
- Female cable connector with cable clamp, CRIMP connection, shieldable, PG 7, cable outlet 4 - 6 mm
- Female cable connector with cable clamp, CRIMP connection, shieldable, PG 9, cable outlet 6 - 8 mm
- Female cable connector, short version, CRIMP connection, cable outlet 4-8 mm
- Female angled connector, CRIMP connection, shieldable, PG 7, cable outlet 4-6 mm
- Female angled connector, CRIMP connection, shieldable, PG 9, cable outlet 6-8 mm
- Female panel mount connector, crimp
- Female panel mount connector, crimp, screwed from front
- male cable connector
- female cable connector
- male panel mount connector
- female panel mount connector