

Product sheet
Miniature connector

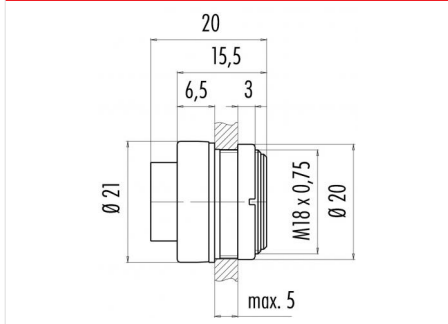


Product	Contacts: 3 DIN, male panel mount connector	Area	Bayonet IP40 Series 678
Pole	3 DIN	Article number	99 0607 00 03

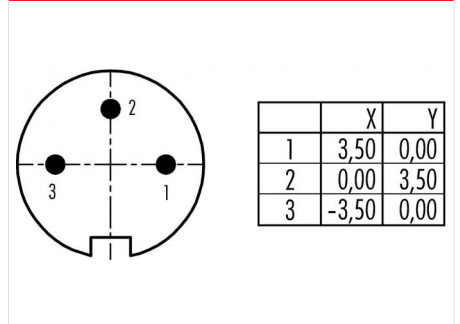
Illustration



Scale drawing



Contact Arrangement



You can find the assembly instruction on the next page.

Technical data

Common values

Connector Design	Male panel mount connector
Connector locking system	Bayonet
Termination	Solder
Wire gauge (mm)	0.75 mm ²
Wire gauge (AWG)	20
Cable outlet	-
Upper temperature	85 °C
Lower temperature	-40 °C

Electrical values

Rated voltage	250 V
Rated impulse voltage	1500 V
Pollution degree	1
Overvoltage category	I
Material group	III
Rated current (40°C)	7 A
Volume resistivity	≤ 5 mΩ
EMV compliance	not shielded
Degree of protection	IP40
Mechanical operation	> 500 mating cycles

Material

Material of contact	CuZn (Brass)
Contact plating	Ag (Silver)
Material of contact body	PBT (UL 94 V-0)
Material of housing	PA (UL 94 V-0)

Contacts: 3 DIN, male panel mount connector

Product

Contacts: 3 DIN, male panel mount

Area

Bayonet IP40 Series 678

Pole

connector
3 DIN

Article number

99 0607 00 03

Installation instructions / Mounting cutout

