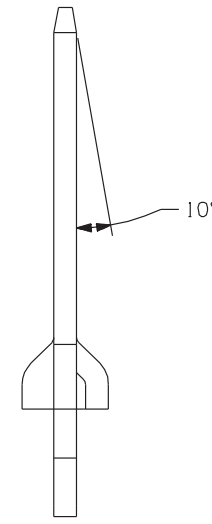
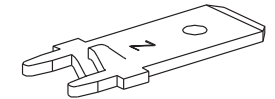
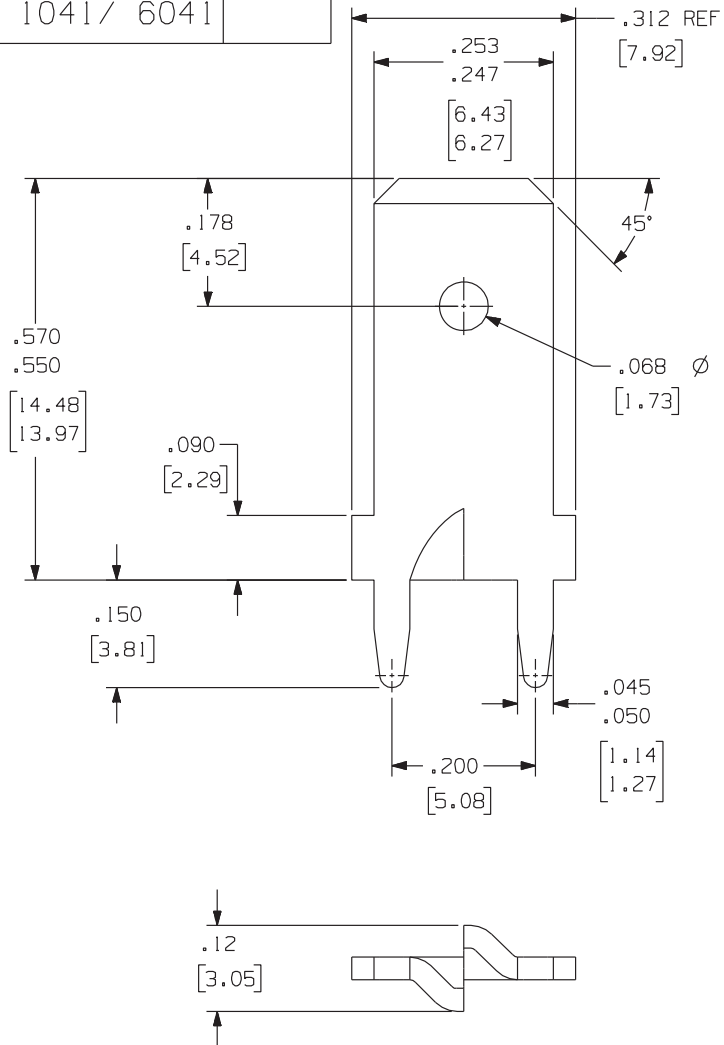


1041/ 6041

Rev.

APPLICATION DRAWING



RoHS COMPLIANT

PART NUMBER	MATERIAL	FINISH
1041	.032 CDA 2600	100 % TIN OVER COPPER
6041 (REELED PART NUMBER)	.032 CDA 2600	100 % TIN OVER COPPER

Zierick Product Related Recommendations are general guidelines only. Since each customer's design, process and application is different it is necessary that customers thoroughly test our products in specific applications.

ZIERICK

Radio Circle Drive
Mount Kisco, New York 10549

.250 STABLE-LOK
P.C. TAB

THIS DOCUMENT AND THE CONFIDENTIAL INFORMATION CONTAINED HERE ARE THE PROPERTY OF ZIERICK MANUFACTURING CORPORATION AND MAY NOT BE USED IN WHOLE OR IN PART IN ANY WAY, OR COMMUNICATED TO ANY PARTY OTHER THAN THE RECIPIENT WITHOUT THE EXPRESS PRIOR WRITTEN CONSENT OF ZIERICK MANUFACTURING CORPORATION.

1041/ 6041