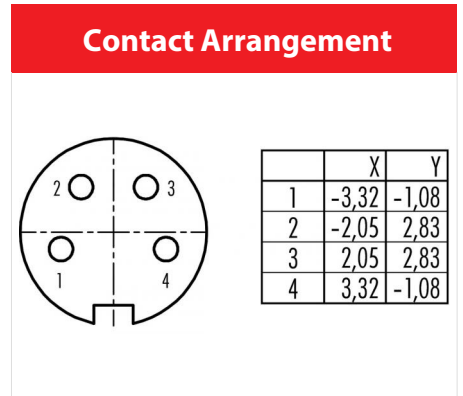
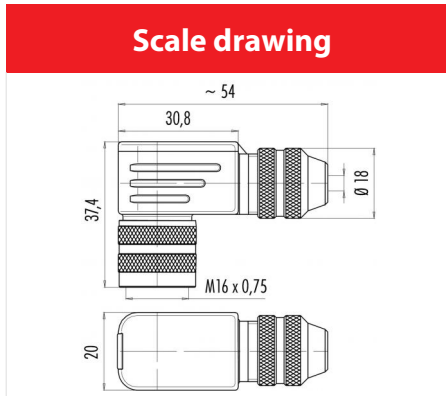


Product sheet
Miniature connector



Product	Contacts: 4, Female angled connector, CRIMP connection, shieldable, cable outlet 4-6 mm	Area	M16 IP67 Series 423
Pole	4	Article number	99 5110 750 04



You can find the item description on the next page.

Technical data

Common values

Connector Design	Female angled connector
Connector locking system	screw
Termination	Crimp
Wire gauge (mm)	0.14 -1.0 mm ²
Wire gauge (AWG)	26-18
Cable outlet	4 - 6 mm
Upper temperature	95 °C
Lower temperature	-40 °C

Electrical values

Rated voltage	250 V
Rated impulse voltage	1500 V
Pollution degree	1
Overvoltage category	I
Material group	III
Rated current (40°C)	6 A
Volume resistivity	≤ 5 mΩ
EMV compliance	schirmbar
Degree of protection	IP67
Mechanical operation	> 500 mating cycles

Material

Material of contact	CuSn (Bronze)
Contact plating	Ag (Silver)
Material of contact body	PBT (UL 94 V-0)
Material of housing	CuZn (Brass nickel-plated)

Contacts: 4, Female angled connector, CRIMP connection, shieldable, cable outlet 4-6 mm

Product	Contacts: 4, Female angled connector, CRIMP connection, shieldable, cable outlet	Area	M16 IP67 Series 423
Pole	4	Article number	99 5110 750 04

Item description

