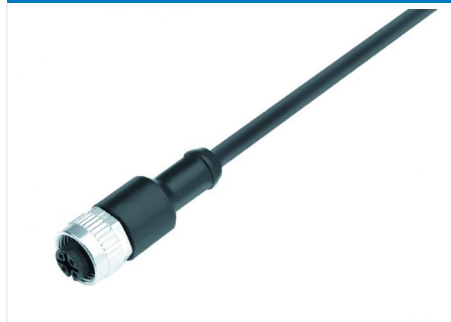
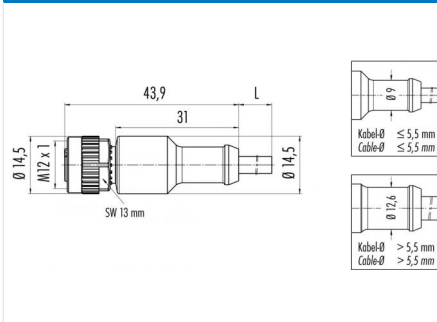


Product	Contacts: 12, female cable connector overmoulded	Area	M12-A Series 763
Pole	12	Article number	77 3430 0000 50712-0500

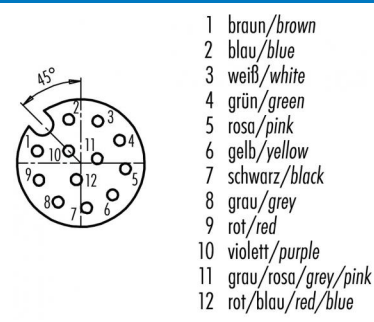
Illustration



Scale drawing



Contact Arrangement



Technical data

Common values

Connector Design	Female cable connector
Connector locking system	screw
Termination	crimp, injection-moulded cable
Wire gauge (mm)	0.25 mm ²
Wire gauge (AWG)	24
Upper temperature	85 °C
Lower temperature	-25 °C

Cable data

material housing	PUR
Insulation single lead	PUR
Single lead structure	14 x 0.15
Cable sheath Ø	7
Conductor resistance	73Ω/Km
Temperature range cable movable c from	-5
Temperature range cable movable c to	70
Temperature range cable fixed c from	-25
Temperature range cable fixed c to	70
Bending radius cable fixed	56
Bending radius cable movable	105

Electrical values

Rated voltage	30 V
Rated impulse voltage	500 V
Pollution degree	3
Overvoltage category	II
Material group	II
Rated current (40°C)	1 A
Volume resistivity	≤ 3 mΩ
EMV compliance	not shielded
Degree of protection	IP68
Mechanical operation	> 100 mating cycles

Material

Material of contact	CuSn (Bronze)
Contact plating	Au (Gold)
Material of contact body	PUR
Material of housing	PUR

Contacts: 12, Cable length 5 m, cable: 12 x 0.25 mm², PUR, female cable connector, overmoulded