

Product sheet

Miniature connector

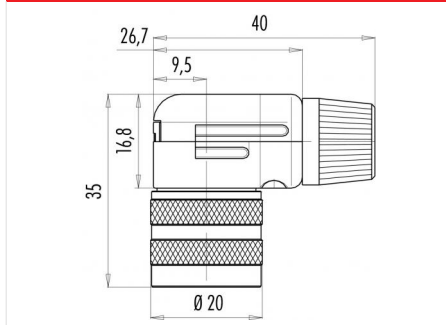


| | | | |
|---------|---|----------------|----------------------------|
| Product | Contacts: 5, Female angled connector, cable outlet 4 – 6 mm, metal model, shieldable | Area | M16 IP40 Series 682 |
| Pole | 5 | Article number | 99 0140 10 05 |

Illustration



Scale drawing



Contact Arrangement

| | X | Y |
|---|-------|-------|
| 1 | -3,03 | -1,75 |
| 2 | -3,03 | 1,75 |
| 3 | 0,00 | 3,50 |
| 4 | 3,03 | 1,75 |
| 5 | 3,03 | -1,75 |

You can find the item description on the next page.

Technical data

Common values

| | |
|--------------------------|-------------------------|
| Connector Design | Female angled connector |
| Connector locking system | screw |
| Termination | Solder |
| Wire gauge (mm) | 0.75 mm ² |
| Wire gauge (AWG) | 20 |
| Cable outlet | 4 - 6 mm |
| Upper temperature | 85 °C |
| Lower temperature | -40 °C |

Electrical values

| | |
|-----------------------|---------------------|
| Rated voltage | 250 V |
| Rated impulse voltage | 1500 V |
| Pollution degree | 1 |
| Overvoltage category | I |
| Material group | III |
| Rated current (40°C) | 6 A |
| Volume resistivity | ≤ 5 mΩ |
| EMV compliance | shielded |
| Degree of protection | IP40 |
| Mechanical operation | > 500 mating cycles |

Material

| | |
|--------------------------|-----------------|
| Material of contact | CuSn (Bronze) |
| Contact plating | Ag (Silver) |
| Material of contact body | PBT (UL 94 V-0) |
| Material of housing | PA (UL 94 HB) |

Contacts: 5, Female angled connector, cable outlet 4 – 6 mm, metal model, shieldable, silver plated contacts

Product sheet
Miniature connector



| | | | |
|---------|---|----------------|----------------------------|
| Product | Contacts: 5, Female angled connector, cable outlet 4 – 6 mm, metal model, shieldable | Area | M16 IP40 Series 682 |
| Pole | 5 | Article number | 99 0140 10 05 |

Item description

