

Product sheet

Miniature connector

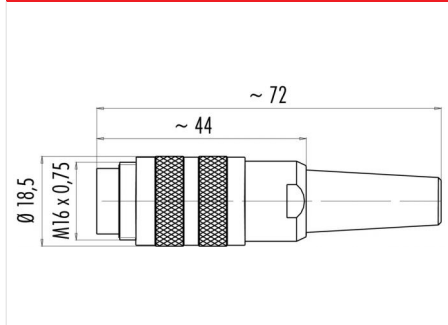


| | | | |
|---------|--|----------------|----------------------------|
| Product | Contacts: 16, Cable plug connector with solder eye, shieldable, cable outlet 4 - 6 mm | Area | M16 IP40 Series 581 |
| Pole | 16 | Article number | 99 2037 00 16 |

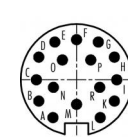
Illustration



Scale drawing



Contact Arrangement



| | X | Y |
|---|-------|-------|
| A | -2,50 | -4,00 |
| B | -4,00 | -2,25 |
| C | -4,25 | 0,00 |
| D | -4,00 | 2,40 |
| E | -2,30 | 4,00 |
| F | 0,00 | 4,25 |
| G | 2,30 | 4,00 |
| H | 4,00 | 2,40 |
| I | 4,25 | 0,00 |
| K | 4,00 | -2,25 |
| L | 2,50 | -4,00 |
| M | 0,00 | -2,60 |
| N | -2,45 | -0,80 |
| O | -1,50 | 2,10 |
| P | 1,50 | 2,10 |
| R | 2,40 | -0,80 |

You can find the item description on the next page.

Technical data

Common values

| | |
|--------------------------|----------------------|
| Connector Design | Cable plug connector |
| Connector locking system | screw |
| Termination | Solder |
| Wire gauge (mm) | 0.25 mm ² |
| Wire gauge (AWG) | 24 |
| Cable outlet | 4 - 6 mm |
| Upper temperature | 85 °C |
| Lower temperature | -40 °C |

Electrical values

| | |
|-----------------------|---------------------|
| Rated voltage | 60 V |
| Rated impulse voltage | 500 V |
| Pollution degree | 1 |
| Overvoltage category | I |
| Material group | III |
| Rated current (40°C) | 3 A |
| Volume resistivity | ≤ 3 mΩ |
| EMV compliance | shielded |
| Degree of protection | IP40 |
| Mechanical operation | > 500 mating cycles |

Material

| | |
|--------------------------|----------------------------|
| Material of contact | CuZn (Brass) |
| Contact plating | Au (Gold) |
| Material of contact body | PBT (UL 94 V-0) |
| Material of housing | CuZn (Brass nickel-plated) |

Contacts: 16, Cable plug connector with solder eye, shieldable, cable outlet 4 - 6 mm, gold plated contacts

| | | | |
|---------|--|----------------|----------------------------|
| Product | Contacts: 16, Cable plug connector with solder eye, shieldable, cable outlet 4 - 6 mm | Area | M16 IP40 Series 581 |
| Pole | 16 | Article number | 99 2037 00 16 |

Item description

