

Product 713-825: Shielding sheet for panel mount connector, screwed from back, PG9
Area M12-D, M12-X

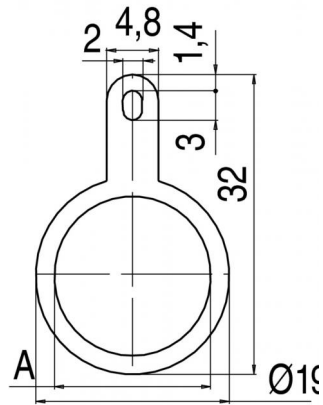
Article number 04 0734 124

Date: 2015-06-04 - Page 1 of 1

Illustration



Scale drawing



Matching products

- Male panel mount connector, PG 9, screwed from front, with PROFINET cable, shielded
- Female panel mount connector with single wires 0.25 mm²
- Female panel mount connector screwed from the front, with single wires 0.25 mm²
- Dip-solder female panel mount connector
- Female panel mount connector for PCB mounting, screwed from the front, with shielding sheet, dip-solder
- Female panel mount connector, PG 9, screwed from the front, with PROFINET cable, shielded