

Product sheet

Connectors for medical applications



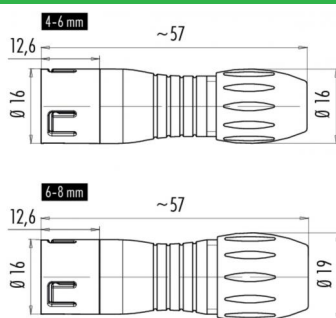
Product **Contacts: 5, Female cable connector, cable outlet 4 - 6 mm, red**

Area **Snap-in IP67, miniature Series**
 Article number **99 9114 450 05**

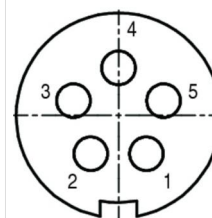
Illustration



Scale drawing



Contact Arrangement



	X	Y
1	1,82	-2,51
2	-1,82	-2,51
3	-2,95	0,96
4	0,00	3,10
5	2,95	0,96

You can find the item description on the next page.

Technical data

General features

Connector Design	Female cable connector
Connector locking system	snap
Termination	solder
Wire gauge (mm)	0,75 mm ²
Wire gauge (AWG)	20
Cable outlet	4 - 6 mm
Upper temperature	85 °C
Lower temperature	-40 °C

Electrical parameters

Rated voltage	125 V
Rated impulse voltage	1500 V
Pollution degree	2
Overvoltage category	II
Material group	II
Rated current (40°C)	5 A
Volume resistivity	≤ 3 mΩ
EMV compliance	not shielded
Degree of protection	IP67

Material

Material of contact	CuZn (Messing)
Contact plating	Au (gold)
Material of contact body	PA (UL 94 V-0)

Product **Contacts: 5, Female cable connector, cable outlet 4 - 6 mm, red**

Area **Snap-in IP67, miniature Series**
Article number **99 9114 450 05**

Item description

