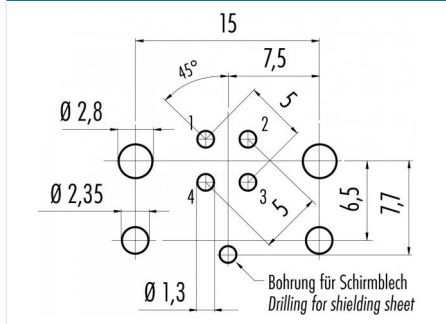


| | | | |
|---------|--|----------------|-----------------------------|
| Product | Contacts: 4, Integrated socket for PCB mounting, straight, with UL approval | Area | M12-A Series 713/763 |
| Pole | 4 | Article number | 99 3432 458 04 |

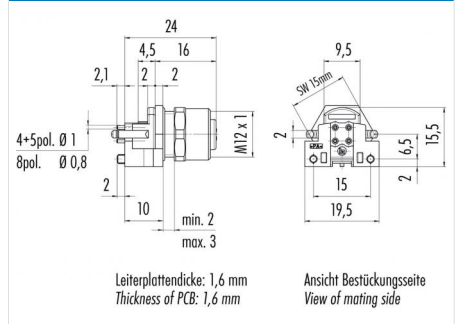
Illustration



Conductor layout



Scale drawing



You can find the assembly instruction on the next page.

Technical data

Common values

| | |
|--------------------------|-------------------|
| Connector Design | Integrated socket |
| Connector locking system | screw |
| Termination | dip-solder |
| Upper temperature | 85 °C |
| Lower temperature | -40 °C |

Electrical values

| | |
|-----------------------|---------------------|
| Rated voltage | 250 V |
| Rated impulse voltage | 2500 V |
| Pollution degree | 3 |
| Overvoltage category | II |
| Material group | III |
| Rated current (40°C) | 4 A |
| Volume resistivity | ≤ 3 mΩ |
| Degree of protection | IP68 |
| Mechanical operation | > 100 mating cycles |

Material

| | |
|--------------------------|----------------------------|
| Material of contact | CuSn (Bronze) |
| Contact plating | Au (Gold) |
| Material of contact body | PA |
| Material of housing | CuZn (Brass nickel-plated) |

Contacts: 4, Integrated socket for PCB mounting, straight, with shielding sheet, with UL approval

Product

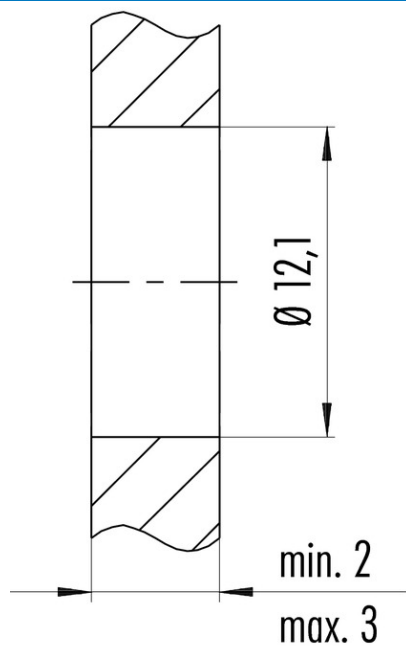
Contacts: 4, Integrated socket for PCB
mounting, straight, with UL approval
4

Area
Article number

M12-A Series 713/763
99 3432 458 04

Pole

Installation instructions / Mounting cutout



Anzugsdrehmoment / *Tightening moment*
M12 x 1 6,25 Nm