

# Product sheet

## Miniature connector



Product	<b>Contacts: 8, female panel mount connector, blue</b>	Area	<b>Snap-in IP67 Series 720</b>
Pole	<b>8</b>	Article number	<b>99 9128 60 08</b>

Illustration	Scale drawing	Contact Arrangement																											
		<table border="1" style="margin-left: auto; margin-right: auto;"> <thead> <tr> <th></th> <th>X</th> <th>Y</th> </tr> </thead> <tbody> <tr><td>1</td><td>1,35</td><td>-2,79</td></tr> <tr><td>2</td><td>-1,35</td><td>-2,79</td></tr> <tr><td>3</td><td>-3,02</td><td>-0,69</td></tr> <tr><td>4</td><td>-2,43</td><td>1,93</td></tr> <tr><td>5</td><td>0,00</td><td>3,10</td></tr> <tr><td>6</td><td>2,43</td><td>1,93</td></tr> <tr><td>7</td><td>3,02</td><td>-0,69</td></tr> <tr><td>8</td><td>0,00</td><td>0,00</td></tr> </tbody> </table>		X	Y	1	1,35	-2,79	2	-1,35	-2,79	3	-3,02	-0,69	4	-2,43	1,93	5	0,00	3,10	6	2,43	1,93	7	3,02	-0,69	8	0,00	0,00
	X	Y																											
1	1,35	-2,79																											
2	-1,35	-2,79																											
3	-3,02	-0,69																											
4	-2,43	1,93																											
5	0,00	3,10																											
6	2,43	1,93																											
7	3,02	-0,69																											
8	0,00	0,00																											

You can find the item description and assembly instruction on the next page.

## Technical data

### Common values

Connector Design	Female panel mount connector
Connector locking system	Snap
Termination	Solder
Wire gauge (mm)	0.25 mm <sup>2</sup>
Wire gauge (AWG)	24
Cable outlet	-
Upper temperature	85 °C
Lower temperature	-25 °C

### Electrical values

Rated voltage	125 V
Rated impulse voltage	1500 V
Pollution degree	2
Overvoltage category	II
Material group	II
Rated current (40°C)	2 A
Volume resistivity	≤ 3 mΩ
EMV compliance	not shielded
Degree of protection	IP67
Mechanical operation	> 500 mating cycles

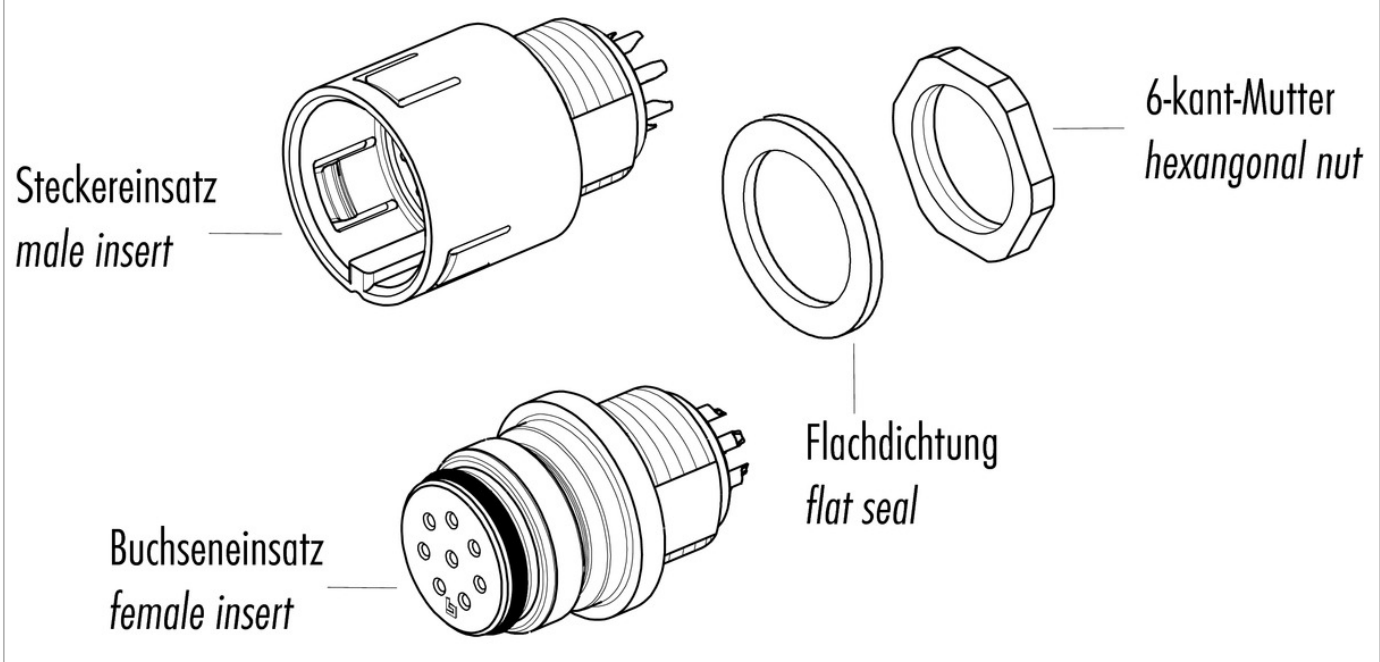
### Material

Material of contact	CuSn (Bronze)
Contact plating	Au (Gold)
Material of contact body	PA (UL 94 V-0)
Material of housing	PA (UL 94 V-0)

Contacts: 8, female panel mount connector, blue

Product	<b>Contacts: 8, female panel mount connector, blue</b>	Area	<b>Snap-in IP67 Series 720</b>
Pole	<b>8</b>	Article number	<b>99 9128 60 08</b>

Item description



Installation instructions / Mounting cutout

