

Product sheet

Subminiature connector

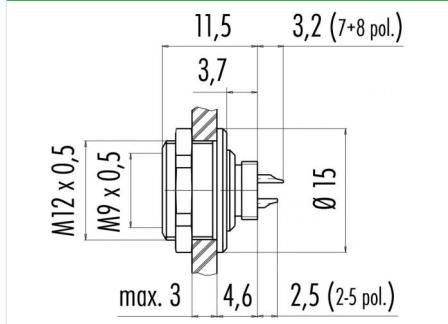


| | | | |
|---------|--|----------------|-------------------------------|
| Product | Contacts: 5, Female panel mount connector, solder, screwed from front | Area | M9 IP67 Series 712/702 |
| Pole | 5 | Article number | 09 0416 80 05 |

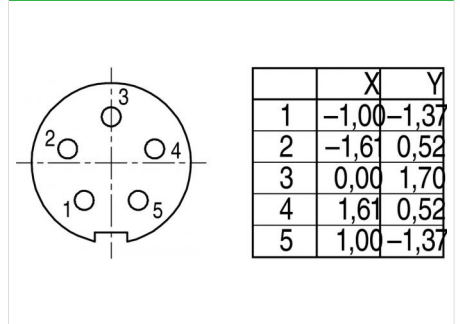
Illustration



Scale drawing



Contact Arrangement



You can find the assembly instruction on the next page.

Technical data

Common values

| | |
|--------------------------|------------------------------|
| Connector Design | Female panel mount connector |
| Connector locking system | screw |
| Termination | Solder |
| Wire gauge (mm) | 0.25 mm ² |
| Wire gauge (AWG) | 24 |
| Cable outlet | - |
| Upper temperature | 85 °C |
| Lower temperature | -40 °C |

Electrical values

| | |
|-----------------------|---------------------|
| Rated voltage | 125 V |
| Rated impulse voltage | 1500 V |
| Pollution degree | 1 |
| Overvoltage category | II |
| Material group | III |
| Rated current (40°C) | 3 A |
| Volume resistivity | ≤ 3 mΩ |
| EMV compliance | shieldable |
| Degree of protection | IP67 |
| Mechanical operation | > 500 mating cycles |

Cable data

| | |
|------------------------|---|
| material housing | - |
| Insulation single lead | - |
| Single lead structure | - |
| Conductor resistance | - |

Material

| | |
|--------------------------|----------------------------|
| Material of contact | CuSn (Bronze) |
| Contact plating | Au (Gold) |
| Material of contact body | PA (UL 94 V-0) |
| Material of housing | CuZn (Brass nickel-plated) |

Contacts: 5, Female panel mount connector, solder, screwed from front

Product

Contacts: 5, Female panel mount
connector, solder, screwed from front
5

Area
Article number

M9 IP67 Series 712/702
09 0416 80 05

Pole

Installation instructions / Mounting cutout

