

Product	Contacts: 5, Double socket, stainless steel threaded lock, 2 cables: 2.1 – 3 mm or 4 – 5 mm, with UL approval	Area	M12-A Series 713
Pole	5	Article number	99 0436 287 05

Illustration	Scale drawing	Contact Arrangement																		
		<table border="1"> <thead> <tr> <th></th> <th>X</th> <th>Y</th> </tr> </thead> <tbody> <tr> <td>1</td> <td>-2,50</td> <td>0,00</td> </tr> <tr> <td>2</td> <td>0,00</td> <td>2,50</td> </tr> <tr> <td>3</td> <td>2,50</td> <td>0,00</td> </tr> <tr> <td>4</td> <td>0,00</td> <td>-2,50</td> </tr> <tr> <td>5</td> <td>0,00</td> <td>0,00</td> </tr> </tbody> </table>		X	Y	1	-2,50	0,00	2	0,00	2,50	3	2,50	0,00	4	0,00	-2,50	5	0,00	0,00
	X	Y																		
1	-2,50	0,00																		
2	0,00	2,50																		
3	2,50	0,00																		
4	0,00	-2,50																		
5	0,00	0,00																		

You can find the item description and assembly instruction on the next page.

Technical data

Common values

Connector Design	Female cable connector
Connector locking system	screw
Termination	Screwing
Wire gauge (mm)	0.75 mm ²
Wire gauge (AWG)	18
Upper temperature	85 °C
Lower temperature	-40 °C

Electrical values

Rated voltage	125 V
Rated impulse voltage	1500 V
Pollution degree	3
Overvoltage category	II
Material group	III
Rated current (40°C)	4 A
Volume resistivity	≤ 3 mΩ
EMV compliance	not shielded
Degree of protection	IP67
Mechanical operation	> 100 mating cycles

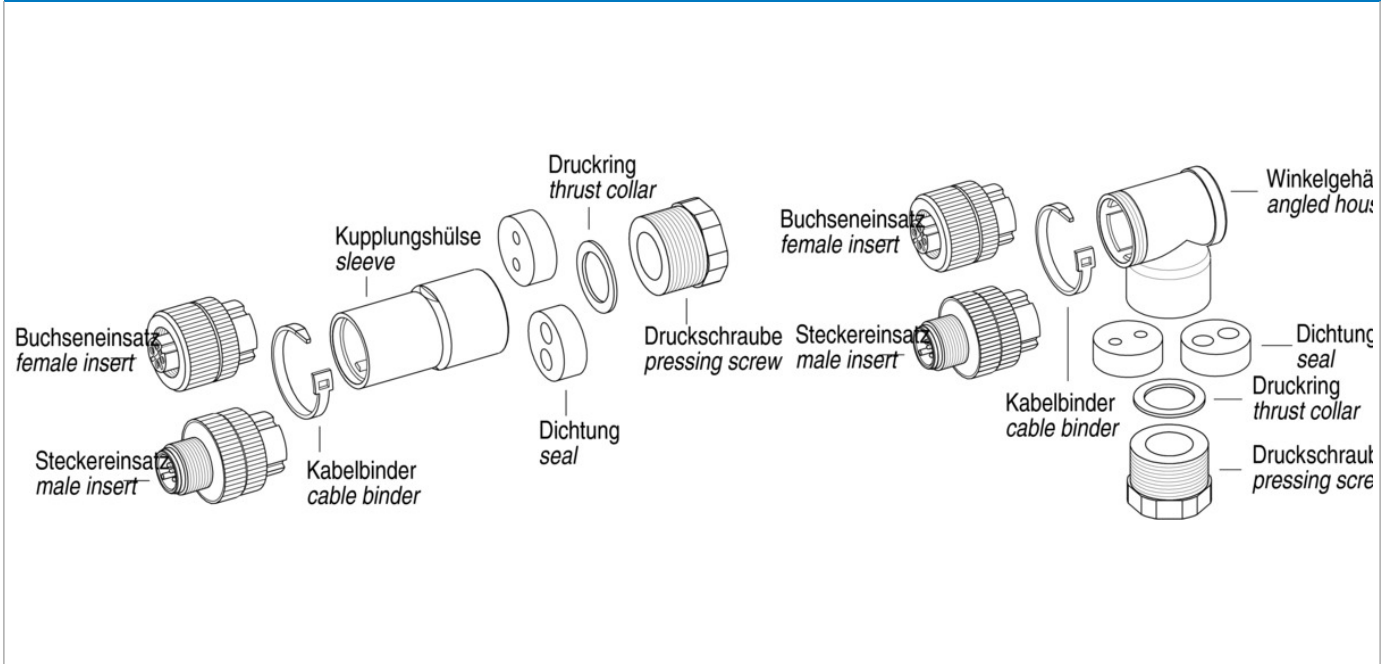
Material

Material of contact	CuZn (Brass)
Contact plating	Au (Gold)
Material of contact body	PA
Material of housing	PA

Contacts: 5, Double socket, stainless steel threaded lock, screw terminal connection, gold contact plating, 2 cables: Ø 2.1 – 3 mm or Ø 4 – 5 mm, with UL approval

Product	Contacts: 5, Double socket, stainless steel threaded lock, 2 cables: 2.1 – 3 mm or 4 – 5 mm, with UL approval	Area	M12-A Series 713
Pole	5	Article number	99 0436 287 05

Item description



Installation instructions / Mounting cutout

