

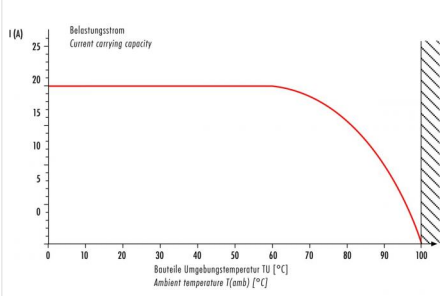
Product
Pole

Contacts: 24, Male angled connector
24

Area
Article number

RD30 Power Series 694
99 0737 70 24

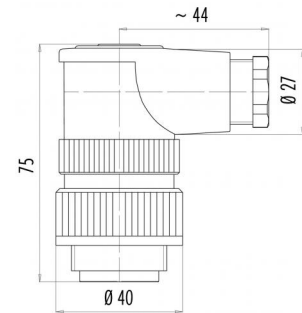
Deratingkurven



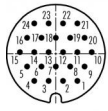
Illustration



Scale drawing



Contact Arrangement



	X	Y
1	5.25	-6.60
2	1.75	-6.60
3	-1.75	-6.60
4	-5.25	-6.60
5	-7.00	-3.10
6	-3.50	-3.10
7	0.00	-3.10
8	3.50	-3.10
9	7.00	-3.10
10	8.75	0.40
11	5.25	0.40
12	1.75	0.40
13	-1.75	0.40
14	-5.25	0.40
15	-8.75	0.40
16	-7.00	3.90
17	-3.50	3.90
18	0.00	3.90
19	3.50	3.90
20	7.00	3.90
21	5.25	7.40
22	1.75	7.40
23	-1.75	7.40
24	-5.25	7.40

You can find the item description on the next page.

Technical data

Common values

Connector Design	Male angled connector
Connector locking system	screw
Termination	Solder
Wire gauge (mm)	0.25 mm ²
Wire gauge (AWG)	24
Cable outlet	10 - 12 mm
Upper temperature	100 °C
Lower temperature	-40 °C

Electrical values

Rated voltage	125 V
Rated impulse voltage	2500 V
Pollution degree	3
Overvoltage category	III
Material group	III
Rated current (40°C)	3 A
Volume resistivity	≤ 3 mΩ
EMV compliance	not shielded
Degree of protection	IP65
Mechanical operation	> 500 mating cycles

Material

Material of contact	CuZn (Brass)
Contact plating	Au (Gold)
Material of contact body	PA (UL 94 HB)
Material of housing	PA (UL 94 V-0)

Contacts: 24, Male angled connector, cable outlet 10- 12 mm

Product
 Pole

Contacts: 24, Male angled connector
24

Area
 Article number

RD30 Power Series 694
99 0737 70 24

Item description

1. Winkelkappe, Winkelhülse, Dichtung, Klemmkorb und Druckschraube auffühen.
2. Kontakteinsatz in Gehäuse einclippen.
3. Leiter abmanteln, abschleifen und anschließen.
4. Winkelhülse mit vormontiertem Gehäuse bis zum mechanischen Anschlag fest verschrauben.
5. Teile gemäß Darstellung montieren.

1. Bead angled hood, sleeve, seal, pinch ring and pressing screw.
2. Clip contact insert into housing.
3. Dismantle cable, strip wire and contact wires.
4. Strongly fasten angled sleeve with preassembled housing up to mechanical stop.
5. Mount remaining parts according to figure.

