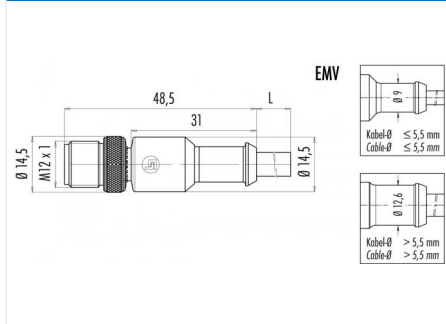


Product	<b>Contacts: 3, Cable plug connector, overmoulded, shielded</b>	Area	<b>M12-A Series 763</b>
Pole	<b>3</b>	Article number	<b>77 3529 0000 20703-0500</b>

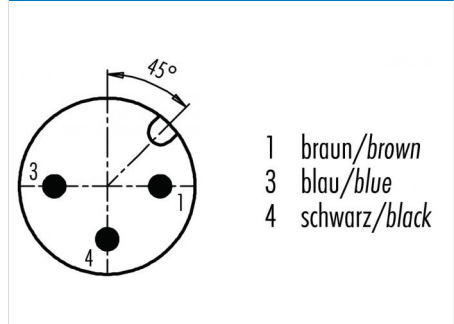
**Illustration**



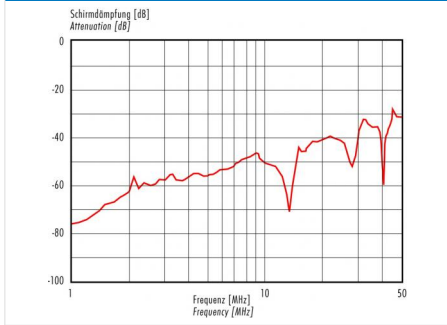
**Scale drawing**



**Contact Arrangement**



**Attenuation characteristic**



**Technical data**

**Common values**

Connector Design	Cable plug connector
Connector locking system	screw
Termination	crimp, injection-moulded cable
Wire gauge (mm)	0.34 mm <sup>2</sup>
Wire gauge (AWG)	22
Upper temperature	85 °C
Lower temperature	-25 °C

**Electrical values**

Rated voltage	250 V
Rated impulse voltage	2500 V
Pollution degree	3
Overvoltage category	II
Material group	II
Rated current (40°C)	4 A
Volume resistivity	≤ 3 mΩ
EMV compliance	geschirmt
Degree of protection	IP67
Mechanical operation	> 100 mating cycles

**Material**

Material of contact	CuZn (Brass)
Contact plating	Au (Gold)
Material of contact body	PUR
Material of housing	PUR

**Contacts: 3, Cable length 5 m, cable: 3 x 0.34 mm<sup>2</sup>, PVC, cable plug connector, overmoulded, shielded**

Product	<b>Contacts: 3, Cable plug connector, overmoulded, shielded</b>	Area	<b>M12-A Series 763</b>
Pole	<b>3</b>	Article number	<b>77 3529 0000 20703-0500</b>

## Technical data

### Cable data

material housing	PVC
Insulation single lead	PVC
Single lead structure	7 x 0.25
Cable sheath Ø	5
Conductor resistance	53Ω/Km
Temperature range cable movable c from	-5
Temperature range cable movable c to	70
Temperature range cable fixed c from	-25
Temperature range cable fixed c to	70
Bending radius cable fixed	25 mm
Bending radius cable movable	50 mm