

# Product sheet

## Output connector

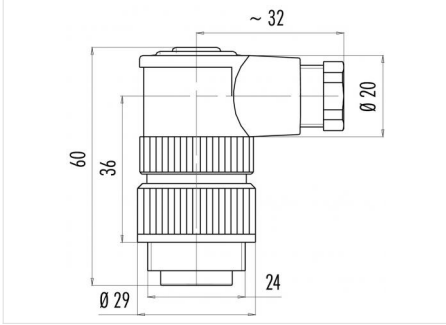


Product	<b>Contacts 6+PE: Male angled connector, PG</b>	Area	<b>RD24 Power Series 692/693</b>
Pole	<b>9</b>	Article number	<b>99 0213 70 07</b>
	<b>6+PE</b>		

### Illustration



### Scale drawing



### Contact Arrangement

	X	Y
1	-3,25	-3,54
2	-4,76	0,63
3	-2,22	4,26
4	2,22	4,26
5	4,76	0,63
6	3,25	-3,54
PE	0,00	0,50

You can find the item description on the next page.

## Technical data

### Common values

Connector Design	Male angled connector
Connector locking system	screw
Termination	Solder
Wire gauge (mm)	0.75 mm <sup>2</sup>
Wire gauge (AWG)	18
Cable outlet	6 - 8 mm
Upper temperature	100 °C
Lower temperature	-40 °C

### Electrical values

Rated voltage	250 V
Rated impulse voltage	4000 V
Pollution degree	3
Overvoltage category	III
Material group	III
Rated current (40°C)	10 A
Volume resistivity	≤ 5 mΩ
EMV compliance	not shielded
Degree of protection	IP67
Mechanical operation	> 500 mating cycles

### Material

Material of contact	CuZn (Brass)
Contact plating	Ag (Silver)
Material of contact body	PBT (UL 94 V-0)
Material of housing	PBT (UL 94 V-0)

Contacts 6+PE: Male angled connector, PG 9, solder

Product

**Contacts 6+PE: Male angled connector, PG**

Area

**RD24 Power Series 692/693**

Pole

**9  
6+PE**

Article number

**99 0213 70 07**

**Item description**

