
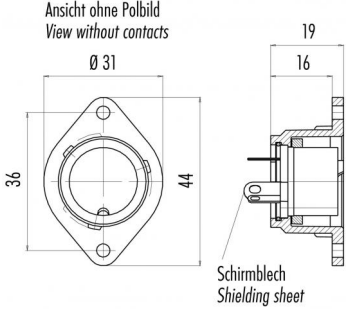
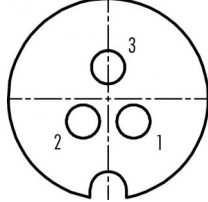


Product	<b>Contacts: 3, Female panel mount connector with shielding sheet</b>	Area	<b>Bayonet IP40 Power Series 690</b>
Pole	<b>3</b>	Article number	<b>09 0058 70 03</b>

Illustration	Scale drawing	Contact Arrangement												
	<p>Ansicht ohne Polbild View without contacts</p> 	 <table border="1" style="margin-left: 20px;"> <thead> <tr> <th></th> <th>X</th> <th>Y</th> </tr> </thead> <tbody> <tr> <td>1</td> <td>2,39</td> <td>-2,14</td> </tr> <tr> <td>2</td> <td>-2,39</td> <td>-2,14</td> </tr> <tr> <td>3</td> <td>0,00</td> <td>3,00</td> </tr> </tbody> </table>		X	Y	1	2,39	-2,14	2	-2,39	-2,14	3	0,00	3,00
	X	Y												
1	2,39	-2,14												
2	-2,39	-2,14												
3	0,00	3,00												

You can find the item description and assembly instruction on the next page.

## Technical data

### Common values

Connector Design	Female panel mount connector
Connector locking system	Bayonet
Termination	Solder
Wire gauge (mm)	2.50 mm <sup>2</sup>
Wire gauge (AWG)	14
Cable outlet	-
Upper temperature	85 °C
Lower temperature	-40 °C

### Electrical values

Rated voltage	250 V
Rated impulse voltage	2500 V
Pollution degree	1
Overvoltage category	II
Material group	III
Rated current (40°C)	10 A
Volume resistivity	≤ 5 mΩ
EMV compliance	not shielded
Degree of protection	IP40
Mechanical operation	> 500 mating cycles

### Material

Material of contact	CuSn (Bronze)
Contact plating	Ag (Silver)
Material of contact body	PBT (UL 94 V-0)
Material of housing	PBT (UL 94 V-0)

Contacts: 3, Female panel mount connector with shielding sheet

# Product sheet

## Output connector



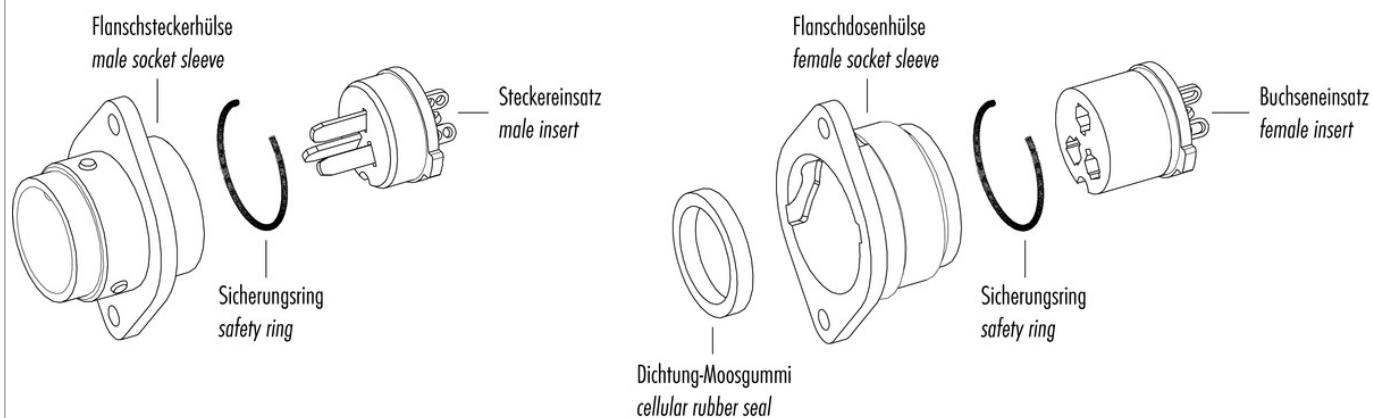
Product  
Pole

**Contacts: 3, Female panel mount  
connector with shielding sheet**  
3

Area  
Article number

**Bayonet IP40 Power Series 690**  
**09 0058 70 03**

### Item description



### Installation instructions / Mounting cutout

