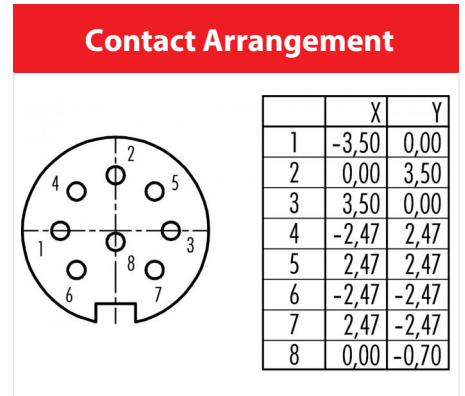
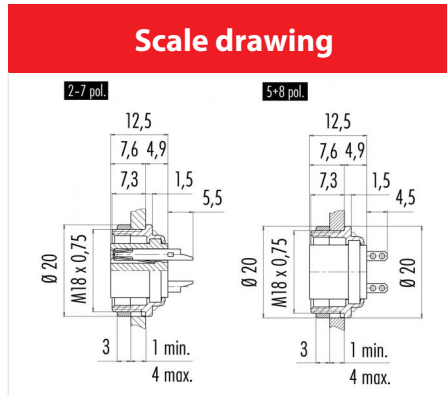


Product sheet

Miniature connector



Product	Contacts: 8 DIN, Female panel mount connector, solder, screwed from front, 2 - 8 contacts	Area	M16 IP40 Series 581/ 680/ 682
Pole	8 DIN	Article number	09 0474 80 08



You can find the assembly instruction on the next page.

Technical data

Common values

Connector Design	Female panel mount connector
Connector locking system	screw
Termination	Solder
Wire gauge (mm)	0.75 mm ²
Wire gauge (AWG)	20
Upper temperature	85 °C
Lower temperature	-40 °C

Electrical values

Rated voltage	60 V
Rated impulse voltage	500 V
Pollution degree	1
Overvoltage category	I
Material group	III
Rated current (40°C)	5 A
Volume resistivity	≤ 5 mΩ
EMV compliance	shielded
Degree of protection	IP40
Mechanical operation	> 500 mating cycles

Material

Material of contact	CuSn (Bronze)
Contact plating	Ag (Silver)
Material of contact body	PBT (UL 94 V-0)
Material of housing	Nickel-plated zinc die casting

Contacts: 8 DIN, Female panel mount connector, solder, screwed from front, 2 - 8 contacts, silver plated contacts

Product sheet
Miniature connector



Product

**Contacts: 8 DIN, Female panel mount
connector, solder, screwed from front, 2 - 8
contacts
8 DIN**

Area
Article number

**M16 IP40 Series 581/ 680/ 682
09 0474 80 08**

Pole

Installation instructions / Mounting cutout

