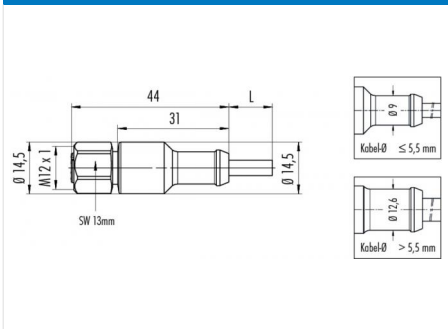


|                     |  |
|---------------------|--|
| Product description | <b>M12-A female cable connector, Contacts: 4, not shielded, moulded on cable, IP69K, Ecolab, FDA compliant, Standard cable, PP grey, 4 x 0.34 mm<sup>2</sup></b> |
| Area                | <b>M12-A series 763</b>  |
| Order number        | <b>77 3730 0000 40404-0200</b>   |

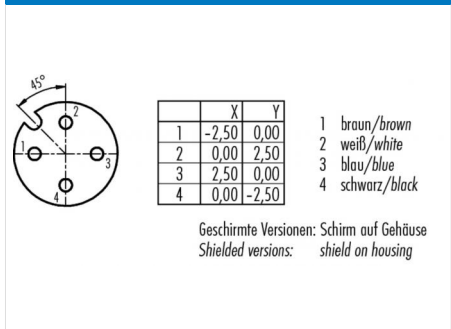
**Illustration**



**Scale drawing**



**Contact arrangement**



**Technical data**

**General values**

|                          |                        |
|--------------------------|------------------------|
| Connector design         | female cable connector |
| Connector locking system | screw                  |
| Termination              | moulded on cable       |
| Wire gauge (mm)          | 0.34 mm <sup>2</sup>   |
| Wire gauge (AWG)         | 22                     |
| Upper limit temperature  | 105 °C                 |
| Lower limit temperature  | - 40 °C                |
| Customs tariff number    | 85444290               |

**Cable data**

|  |               |
|--|---------------|
| Cable length                             | 2 m           |
| Sheath material                          | PP            |
| Single-lead insulation                   | PVC           |
| Single-lead structure                    | 42 x 0,1 mm   |
| Cable diameter                           | 4.8 mm        |
| Conductor resistance                     | 57 Ω/Km       |
| Temperature range, moving cable, °C from | - 5 °C        |
| Temperature range, moving cable, °C to   | 105 °C        |
| Temperature range, fixed cable, °C from  | -40 °C        |
| Temperature range, fixed cable, °C to    | 105 °C        |
| Bending radius, fixed cable              | ≥ 5 x Ø       |
| Bending radius, moving cable             | ≥ 10 x Ø      |
| Approval 1                               | Ecolab        |
| Approval 2                               | FDA compliant |
| UL style 1                               | AWM2517       |

**Electrical values**

|                           |                      |
|---------------------------|----------------------|
| Rated current (40 °C)     | 4 A                  |
| Rated voltage             | 250 V                |
| Rated impulse voltage     | 2500 V               |
| Pollution degree          | 3                    |
| Overvoltage category      | II                   |
| Insulating material group | II                   |
| Insulation resistance     | ≥ 10 <sup>10</sup> Ω |
| EMC compliance            | not shielded         |
| Degree of protection      | IP69K                |
|                           | IP67                 |
| Degree of protection 2    | IP67                 |
| Mechanical operation      | > 100 Mating cycles  |

**Material**

|                       |              |
|-----------------------|--------------|
| Contact material      | CuZn (brass) |
| Contact plating       | Au (gold)    |
| Contact body material | PP           |
| Housing material      | PP           |

|                     |  |
|---------------------|--|
| Product description | <b>M12-A female cable connector, Contacts: 4, not shielded, moulded on cable, IP69K, Ecolab, FDA compliant, Standard cable, PP grey, 4 x 0.34 mm<sup>2</sup></b> |
| Area                | <b>M12-A series 763</b>  |
| Order number        | <b>77 3730 0000 40404-0200</b>   |

## Security notices

The connector must not be connected or separated under load. Non-observance and incorrect use can result in personal injury.

The connectors are designed for use in plant, control system and electrical equipment. The end user is responsible for checking whether the connectors are suitable for use in other applications.

Connectors used in electrical circuits containing hazardous life parts must only be assembled and used by or under the supervision of persons with the requisite electrotechnical training, taking the applicable regulations and standards into account.

Connectors with degree of protection IP 67 and IP 68 are not suitable for use under water. When used outdoors, the connectors must be separately protected against corrosion. For further information about IP degrees of protection refer to 'Technical support' in the Download Centre.

To lock the cable connector to the equipment connector, the threaded ring is tightened until it is 'finger-tight' (approx. 50 cNm).