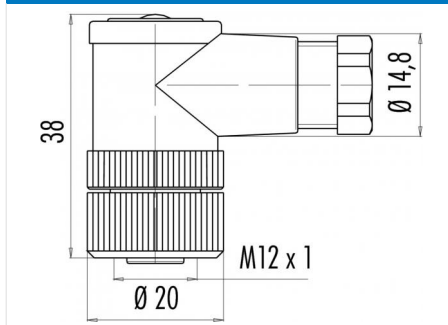


Product	Contacts: 4, Female angled connector with plastic lock, transparent, screw terminal connection, with UL approval	Area	M12-A Series 713
Pole	4	Article number	99 0430 68 04

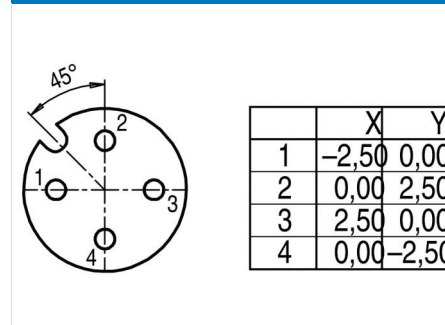
Illustration



Scale drawing



Contact Arrangement



You can find the item description and assembly instruction on the next page.

Technical data

Common values

Connector Design	Female angled connector
Connector locking system	screw
Termination	Screwing
Wire gauge (mm)	0.75 mm ²
Wire gauge (AWG)	18
Cable outlet	6 - 8 mm
Upper temperature	85 °C
Lower temperature	-40 °C

Electrical values

Rated voltage	250 V
Rated impulse voltage	2500 V
Pollution degree	3
Overvoltage category	II
Material group	II
Rated current (40°C)	4 A
Volume resistivity	≤ 8 mΩ
EMV compliance	nicht geschirmt
Degree of protection	IP67
Mechanical operation	> 50 mating cycles

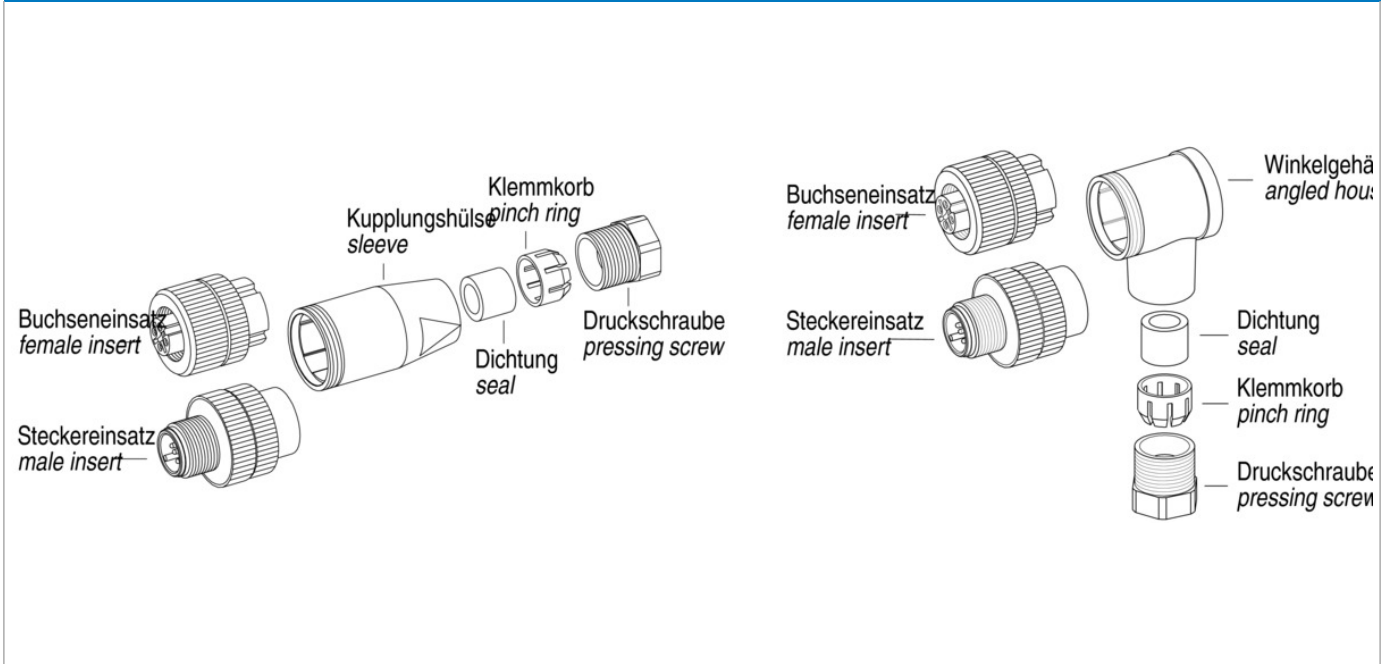
Material

Material of contact	CuZn (Brass)
Contact plating	CuSnZn (Optaloy)
Material of contact body	PA
Material of housing	PBT

Contacts: 4, Cable outlet: 6-8 mm, female angled connector with plastic lock, screw terminal connection, transparent, with UL approval

Product	Contacts: 4, Female angled connector with plastic lock, transparent, screw terminal connection, with UL approval	Area	M12-A Series 713
Pole	4	Article number	99 0430 68 04

Item description



Installation instructions / Mounting cutout

	Schraubklemmversion screw connection	Lötversion solder version	Käfigzugfederversion wire clamp connection
Maß A/mm measure A/mm	5	3,5	7