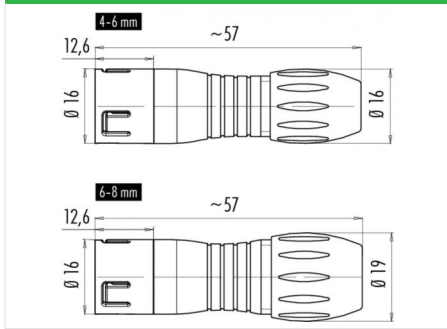


Product **Contacts: 12, Male cable connector, cable outlet 6 - 8 mm, green**
 Area **Snap-in IP67, miniature Series**
 Article number **99 9133 472 12**

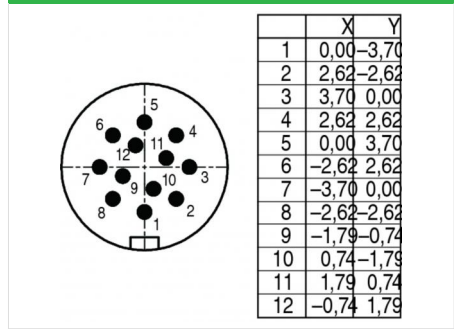
Illustration



Scale drawing



Contact Arrangement



You can find the item description on the next page.

Technical data

General features

Connector Design Cable Connector
 Connector locking system snap
 Termination solder
 Wire gauge (mm) 0,25 mm²
 Wire gauge (AWG) 24
 Cable outlet 6 - 8 mm
 Upper temperature 85 °C
 Lower temperature -40 °C

Electrical parameters

Rated voltage 60 V
 Rated impulse voltage 800 V
 Pollution degree 2
 Overvoltage category II
 Material group II
 Rated current (40°C) 2 A
 Volume resistivity ≤ 3 mΩ
 EMV compliance not shielded
 Degree of protection IP67

Material

Material of contact CuZn (Messing)
 Contact plating Au (gold)
 Material of contact body PA (UL 94 V-0)

Product **Contacts: 12, Male cable connector, cable outlet 6 - 8 mm, green**

Area **Snap-in IP67, miniature Series**
Article number **99 9133 472 12**

Item description

