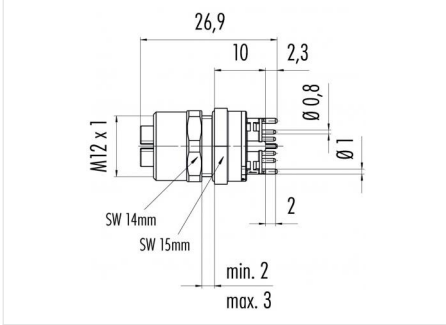


Product	Contacts: 8, Female panel mount connector with X-coding, dip-solder, fixed housing contacts	Area	M12-D, M12-X Series 825/876 X-coding
Pole	8	Article number	99 3782 210 08

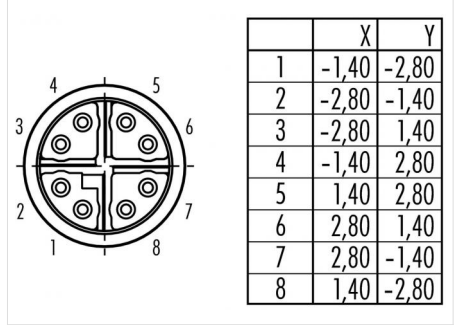
Illustration



Scale drawing



Contact Arrangement



Technical data

Common values

Connector Design	Cable plug connector
Connector locking system	screw
Termination	dip-solder
Upper temperature	85 °C
Lower temperature	-40 °C

Cable data

material housing	-
Insulation single lead	-
Single lead structure	-
Conductor resistance	-
Bending radius cable fixed	-
Bending radius cable movable	-

Electrical values

Rated voltage	a:2;{:i:0;s:2:"50";i:1;s:2:"60";} V
Pollution degree	3
Overvoltage category	II
Material group	III
Rated current (40°C)	0.5 A
Volume resistivity	≤ 10 mΩ
Degree of protection	IP67
Mechanical operation	> 100 mating cycles

Material

Material of contact	CuSn (Bronze)
Contact plating	Au (Gold)
Material of contact body	PA
Material of housing	Nickel-plated zinc die casting

Contacts 8: Female panel mount connector with X-coding, dip-solder, fixed housing contacts