

Product sheet

Output connector

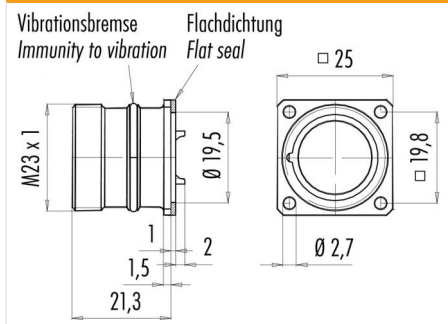


Product	Polzahl: 12, Flanschdose, Frontmontage linksdrehend	Area	M23 Power Series 623
Pole	12	Article number	99 4608 10 12

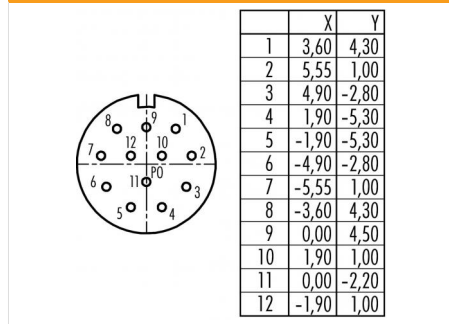
Illustration



Scale drawing



Contact Arrangement



Technical data

Common values

Connector Design	Female panel mount connector
Connector locking system	screw
Termination	Solder
Wire gauge (mm)	1.00 mm ²
Wire gauge (AWG)	18
Cable outlet	-
Upper temperature	125 °C
Lower temperature	-20 °C

Electrical values

Rated voltage	150 V
Rated impulse voltage	1500 V
Pollution degree	3
Overvoltage category	II
Material group	III
Rated current (40°C)	8 A
Volume resistivity	≤ 3 mΩ
EMV compliance	not shielded
Degree of protection	IP67
Mechanical operation	> 50 mating cycles

Material

Material of contact	CuSn (Bronze)
Contact plating	Au (Gold)
Material of contact body	PBT/PA66
Material of housing	Nickel-plated zinc die casting

Contacts: 12, Female panel mount connector, front mounting, left-turning