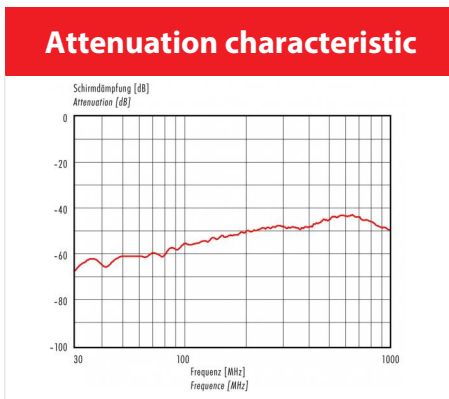
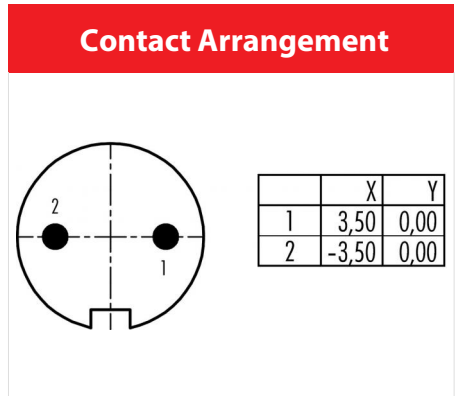
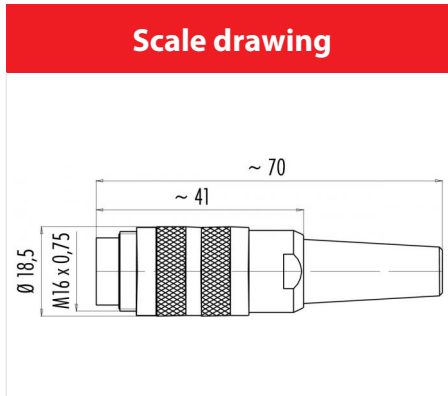


Product sheet

Miniature connector



| | | | |
|---------|----------------------------------------------------------------------------------------------|----------------|----------------------------|
| Product | Contacts: 2, cable plug connector with cable clamp, shieldable, cable outlet 6 - 8 mm | Area | M16 IP40 Series 581 |
| Pole | 2 | Article number | 99 2001 20 02 |



You can find the item description on the next page.

Technical data

Common values

| | |
|--------------------------|----------------------|
| Connector Design | Cable plug connector |
| Connector locking system | screw |
| Termination | Solder |
| Wire gauge (mm) | 0.75 mm ² |
| Wire gauge (AWG) | 20 |
| Cable outlet | 6 - 7.8 mm |
| Upper temperature | 85 °C |
| Lower temperature | -40 °C |

Electrical values

| | |
|-----------------------|---------------------|
| Rated voltage | 250 V |
| Rated impulse voltage | 1500 V |
| Pollution degree | 1 |
| Overvoltage category | I |
| Material group | III |
| Rated current (40°C) | 7 A |
| Volume resistivity | ≤ 5 mΩ |
| EMV compliance | shielded |
| Degree of protection | IP40 |
| Mechanical operation | > 500 mating cycles |

Material

| | |
|--------------------------|----------------------------|
| Material of contact | CuZn (Brass) |
| Contact plating | Ag (Silver) |
| Material of contact body | PBT (UL 94 V-0) |
| Material of housing | CuZn (Brass nickel-plated) |

Contacts: 2, Cable plug connector with cable clamp, shieldable, cable outlet 6 - 8 mm, silver plated contacts

Product sheet

Miniature connector



| | | | |
|---------|----------------------------------------------------------------------------------------------|----------------|----------------------------|
| Product | Contacts: 2, cable plug connector with cable clamp, shieldable, cable outlet 6 - 8 mm | Area | M16 IP40 Series 581 |
| Pole | 2 | Article number | 99 2001 20 02 |

Item description

