

Product sheet

Output connector



Product Pole

Contacts: 7, female cable connector
7

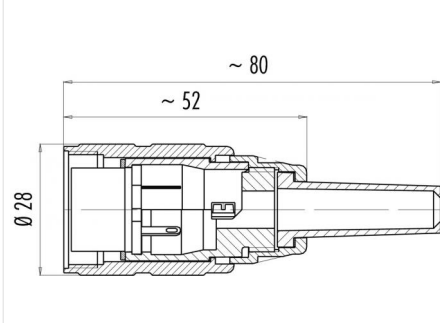
Area Article number

M25 Power Series 691
09 0042 00 07

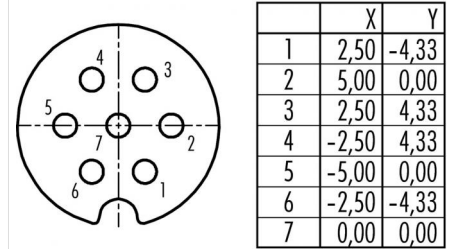
Illustration



Scale drawing



Contact Arrangement



You can find the item description on the next page.

Technical data

Common values

Connector Design	Female cable connector
Connector locking system	screw
Termination	Solder
Wire gauge (mm)	0.75 mm ²
Wire gauge (AWG)	20
Cable outlet	5 - 8 mm
Upper temperature	85 °C
Lower temperature	-40 °C

Electrical values

Rated voltage	250 V
Rated impulse voltage	2500 V
Pollution degree	1
Overvoltage category	II
Material group	III
Rated current (40°C)	5 A
Volume resistivity	≤ 5 mΩ
EMV compliance	not shielded
Degree of protection	IP40
Mechanical operation	> 500 mating cycles

Material

Material of contact	CuZn (Brass)
Contact plating	Ag (Silver)
Material of contact body	PET (UL 94 V-0)
Material of housing	GD-Al (anodised)

Contacts: 7, female cable connector

Product sheet

Output connector



Product
Pole

Contacts: 7, female cable connector
7

Area
Article number

M25 Power Series 691
09 0042 00 07

Item description

