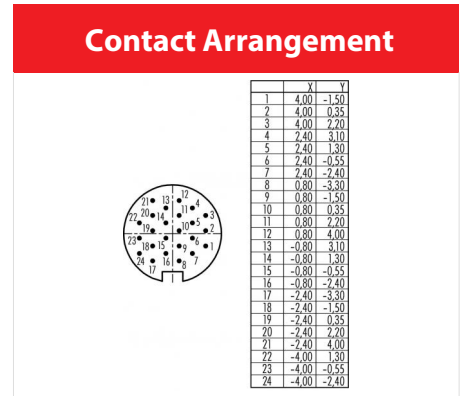
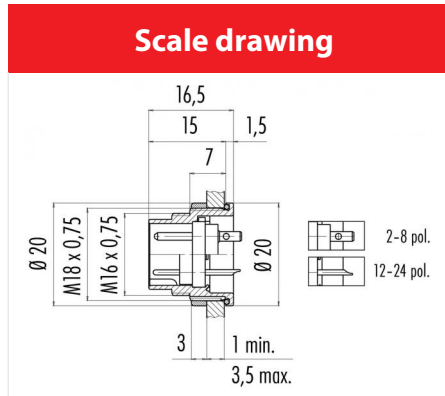


Product sheet

Miniature connector



Product	Contacts: 24, Male panel mount connector, solder, screwed from the front, with UL approval	Area	M16 IP67 Series 423/ 723/ 425
Pole	24	Article number	09 0497 80 24



You can find the assembly instruction on the next page.

Technical data

Common values

Connector Design	Male panel mount connector
Connector locking system	screw
Termination	Solder
Wire gauge (mm)	0.14 mm ²
Wire gauge (AWG)	26
Upper temperature	95 °C
Lower temperature	-40 °C

Electrical values

Rated voltage	60 V
Rated impulse voltage	500 V
Pollution degree	1
Overvoltage category	I
Material group	III
Rated current (40°C)	1 A
Volume resistivity	≤ 3 mΩ
EMV compliance	shielded
Degree of protection	IP67
Mechanical operation	> 500 mating cycles

Material

Material of contact	CuZn (Brass)
Contact plating	Au (Gold)
Material of contact body	PBT (UL 94 V-0)
Material of housing	Nickel-plated zinc die casting

Contacts: 24, Male panel mount connector, solder, screwed from the front, gold plated contacts, with UL approval

Product sheet
Miniature connector



Product

**Contacts: 24, Male panel mount connector,
solder, screwed from the front, with UL
approval
24**

Area
Article number

**M16 IP67 Series 423/ 723/ 425
09 0497 80 24**

Pole

Installation instructions / Mounting cutout

