

# Product sheet

## Miniature connector

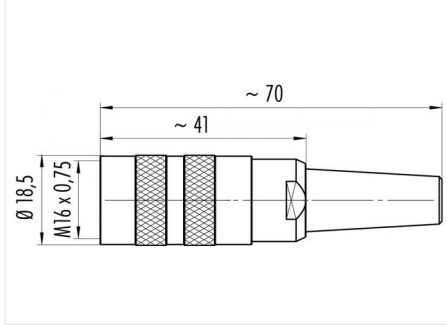


Product	<b>Contacts: 5, Female cable connector with cable clamp, screw terminal connection, shieldable, cable outlet 4 – 6 mm</b>	Area	<b>M16 IP40 Series 581</b>
Pole	<b>5</b>	Article number	<b>99 2014 210 05</b>

### Illustration



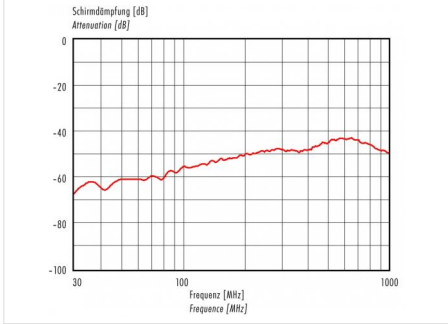
### Scale drawing



### Contact Arrangement

	X	Y
1	-3,03	-1,75
2	-3,03	1,75
3	0,00	3,50
4	3,03	1,75
5	3,03	-1,75

### Attenuation characteristic



You can find the item description on the next page.

## Technical data

### Common values

Connector Design	Female cable connector
Connector locking system	screw
Termination	Screwing
Wire gauge (mm)	0.25 - 1.5 mm <sup>2</sup>
Wire gauge (AWG)	24 - 16
Cable outlet	4 - 6 mm
Upper temperature	85 °C
Lower temperature	-40 °C

### Electrical values

Rated voltage	250 V
Rated impulse voltage	1500 V
Pollution degree	1
Overvoltage category	I
Material group	III
Rated current (40°C)	6 A
Volume resistivity	≤ 5 mΩ
EMV compliance	shielded
Degree of protection	IP40
Mechanical operation	> 500 mating cycles

### Material

Material of contact	CuSn (Bronze)
Contact plating	Ag (Silver)
Material of contact body	PBT (UL 94 V-0)
Material of housing	CuZn (Brass nickel-plated)

Contacts: 5, female cable connector with cable clamp, screw terminal connection, shieldable, cable outlet 4 – 6 mm, silver plated contacts

**Product sheet**  
**Miniature connector**



Product	<b>Contacts: 5, Female cable connector with cable clamp, screw terminal connection, shieldable, cable outlet 4 – 6 mm</b>	Area	<b>M16 IP40 Series 581</b>
Pole	<b>5</b>	Article number	<b>99 2014 210 05</b>

**Item description**

