
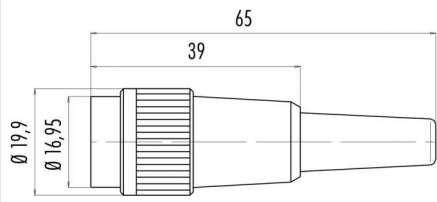
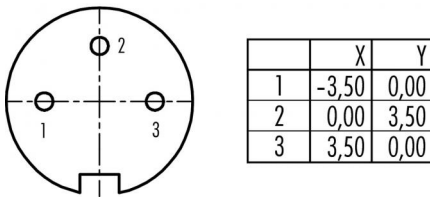


# Product sheet

## Miniature connector



Product	<b>Contacts: 3 DIN, female cable connector, cable outlet 4 – 6 mm</b>	Area	<b>Bayonet IP40 Series 678</b>
Pole	<b>3 DIN</b>	Article number	<b>99 0606 00 03</b>

Illustration	Scale drawing	Contact Arrangement												
		 <table border="1" style="margin-left: auto; margin-right: auto;"> <thead> <tr> <th></th> <th>X</th> <th>Y</th> </tr> </thead> <tbody> <tr> <td>1</td> <td>-3,50</td> <td>0,00</td> </tr> <tr> <td>2</td> <td>0,00</td> <td>3,50</td> </tr> <tr> <td>3</td> <td>3,50</td> <td>0,00</td> </tr> </tbody> </table>		X	Y	1	-3,50	0,00	2	0,00	3,50	3	3,50	0,00
	X	Y												
1	-3,50	0,00												
2	0,00	3,50												
3	3,50	0,00												

You can find the item description on the next page.

## Technical data

### Common values

Connector Design	Female cable connector
Connector locking system	Bayonet
Termination	Solder
Wire gauge (mm)	0.75 mm <sup>2</sup>
Wire gauge (AWG)	20
Cable outlet	4 - 6 mm
Upper temperature	85 °C
Lower temperature	-40 °C

### Electrical values

Rated voltage	250 V
Rated impulse voltage	1500 V
Pollution degree	1
Overvoltage category	I
Material group	III
Rated current (40°C)	7 A
Volume resistivity	≤ 5 mΩ
EMV compliance	not shielded
Degree of protection	IP40
Mechanical operation	> 500 mating cycles

### Material

Material of contact	CuSn (Bronze)
Contact plating	Ag (Silver)
Material of contact body	PBT (UL 94 V-0)
Material of housing	PA (UL 94 V-0)

Contacts: 3 DIN, female cable connector, cable outlet 4 – 6 mm

Product	<b>Contacts: 3 DIN, female cable connector, cable outlet 4 – 6 mm</b>	Area	<b>Bayonet IP40 Series 678</b>
Pole	<b>3 DIN</b>	Article number	<b>99 0606 00 03</b>

Item description

