

Product sheet

Miniature connector

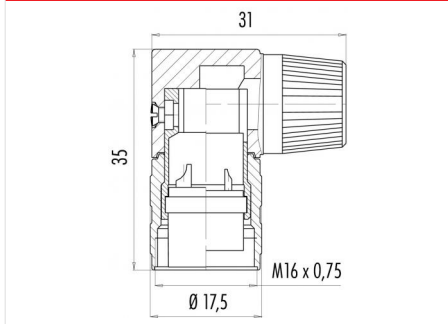


Product	Contacts: 14, female angled connector, cable outlet 6 - 8 mm, plastic model	Area	M16 IP40 Series 682
Pole	14	Article number	09 0162 72 14

Illustration



Scale drawing



Contact Arrangement

	X	Y
A	2,50	-4,00
C	4,25	0,00
E	2,30	4,00
G	-2,30	4,00
J	-4,25	0,00
L	-2,50	4,00
M	0,95	-2,40
N	2,40	-0,95
O	2,40	0,95
P	0,95	2,40
R	-0,95	2,40
S	-2,40	0,95
T	-2,40	-0,95
U	-0,95	-2,40

You can find the item description on the next page.

Technical data

Common values

Connector Design	Female angled connector
Connector locking system	screw
Termination	Solder
Wire gauge (mm)	0.25 mm ²
Wire gauge (AWG)	24
Cable outlet	6 - 7.8 mm
Upper temperature	85 °C
Lower temperature	-40 °C

Electrical values

Rated voltage	60 V
Rated impulse voltage	500 V
Pollution degree	1
Overvoltage category	I
Material group	III
Rated current (40°C)	3 A
Volume resistivity	≤ 3 mΩ
EMV compliance	not shielded
Degree of protection	IP40
Mechanical operation	> 500 mating cycles

Material

Material of contact	CuSn (Bronze)
Contact plating	Au (Gold)
Material of contact body	PBT (UL 94 V-0)
Material of housing	PA (UL 94 HB)

Contacts: 14, Female angled connector, cable outlet 6 - 8 mm, plastic model, gold plated contacts

Product sheet

Miniature connector



Product

**Contacts: 14, female angled connector,
cable outlet 6 - 8 mm, plastic model
14**

Area
Article number

**M16 IP40 Series 682
09 0162 72 14**

Pole

Item description

