

Product sheet

Subminiature connector



Product	Contacts: 7, Cable plug connector, 360° EMC safe, cable outlet 3.5-5 mm	Area	M9 IP67 Series 712
Pole	7	Article number	99 0421 10 07

Illustration	Scale drawing	Contact Arrangement																								
		<table border="1" style="margin-left: auto; margin-right: auto;"> <thead> <tr> <th></th> <th>X</th> <th>Y</th> </tr> </thead> <tbody> <tr> <td>1</td> <td>0,90</td> <td>-1,65</td> </tr> <tr> <td>2</td> <td>1,85</td> <td>-0,35</td> </tr> <tr> <td>3</td> <td>1,45</td> <td>1,20</td> </tr> <tr> <td>4</td> <td>0,00</td> <td>1,85</td> </tr> <tr> <td>5</td> <td>-1,45</td> <td>1,20</td> </tr> <tr> <td>6</td> <td>-1,85</td> <td>-0,35</td> </tr> <tr> <td>7</td> <td>-0,90</td> <td>-1,65</td> </tr> </tbody> </table>		X	Y	1	0,90	-1,65	2	1,85	-0,35	3	1,45	1,20	4	0,00	1,85	5	-1,45	1,20	6	-1,85	-0,35	7	-0,90	-1,65
	X	Y																								
1	0,90	-1,65																								
2	1,85	-0,35																								
3	1,45	1,20																								
4	0,00	1,85																								
5	-1,45	1,20																								
6	-1,85	-0,35																								
7	-0,90	-1,65																								

You can find the item description and assembly instruction on the next page.

Technical data

Common values

Connector Design	Cable plug connector
Connector locking system	screw
Termination	Solder
Wire gauge (mm)	0.14 mm ²
Wire gauge (AWG)	26
Cable outlet	3.5 - 5 mm
Upper temperature	85 °C
Lower temperature	-40 °C

Cable data

material housing	-
Insulation single lead	-
Single lead structure	-
Conductor resistance	-

Electrical values

Rated voltage	125 V
Rated impulse voltage	1500 V
Pollution degree	1
Overvoltage category	II
Material group	III
Rated current (40°C)	1 A
Volume resistivity	≤ 3 mΩ
EMV compliance	shieldable
Degree of protection	IP67
Mechanical operation	> 500 mating cycles

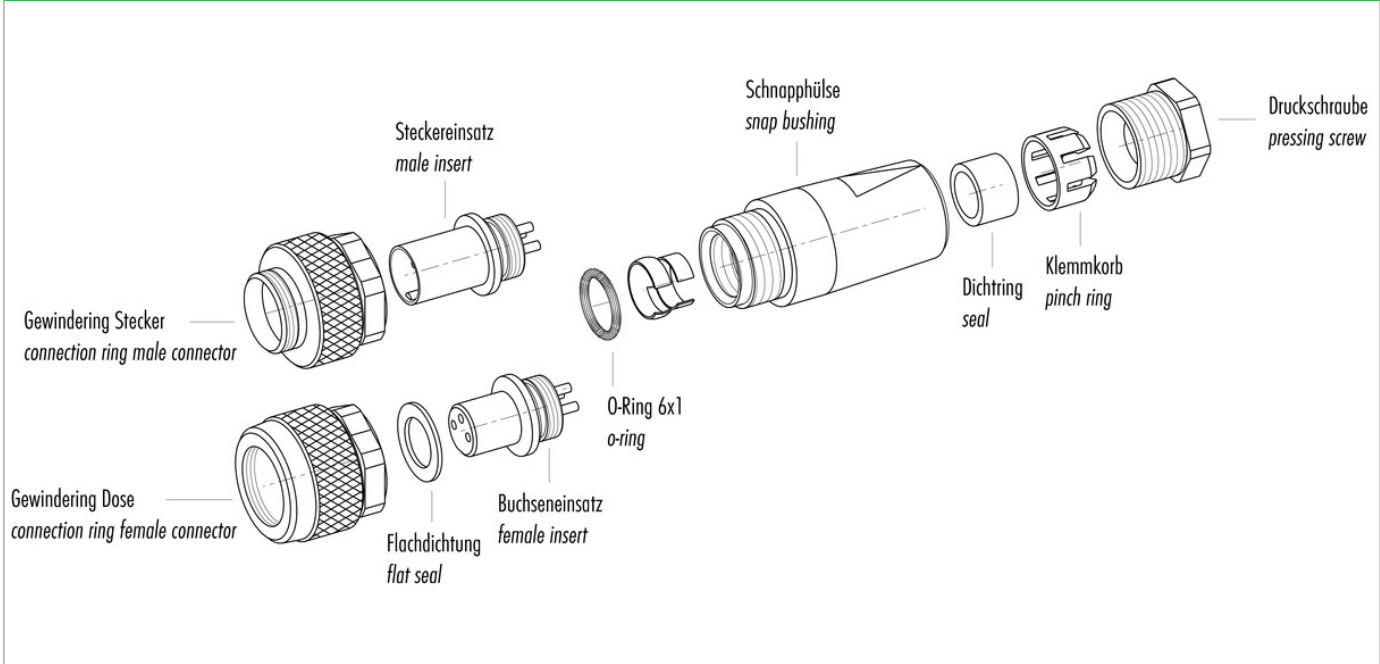
Material

Material of contact	CuZn (Brass)
Contact plating	Au (Gold)
Material of contact body	PBT (UL 94 V-0)
Material of housing	CuZn (Brass nickel-plated)

Contacts: 7, Cable plug connector, 360° EMC safe, shieldable, cable outlet 3.5-5 mm

Product	Contacts: 7, Cable plug connector, 360° EMC safe, cable outlet 3.5-5 mm	Area	M9 IP67 Series 712
Pole	7	Article number	99 0421 10 07

Item description



Installation instructions / Mounting cutout

<p>1. Teile auffädeln, Kabel abmanteln, Schirm kürzen, Leiter abisolieren</p>	<p>1. Bead parts, dismantle cable, shorten shield, strip wire</p>	<p>3 abisolieren strip abmanteln dismantle min. 10 max. 12 ~ 4 Schirm shield</p>
<p>2. Schirm umlegen, Schirmmanschette an Kabeldurchmesser anpassen und mit Schirm verlöten</p>	<p>2. Fold shield back, fit collar to cable diameter and solder with shield</p>	
<p>3. Überstehendes Geflecht abschneiden, Kontakteinsatz anlöten</p>	<p>3. Cut off projecting shielding braid, solder insert</p>	
<p>4. Übrige Teile gemäß Darstellung montieren</p>	<p>4. Mount remaining parts acc. to figure</p>	