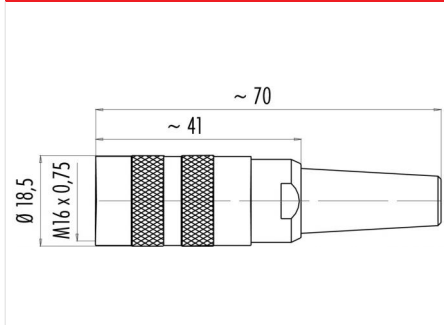


Product	Contacts: 3 DIN, Female cable connector with cable clamp, shieldable, cable outlet 6 - 8 mm	Area	M16 IP40 Series 581
Pole	3 DIN	Article number	99 2006 20 03

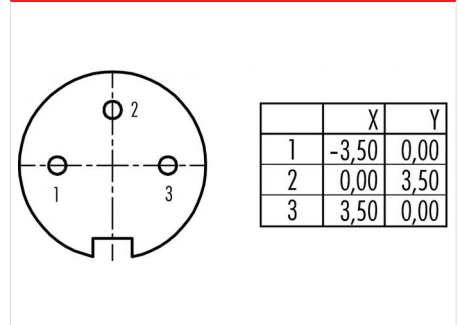
Illustration



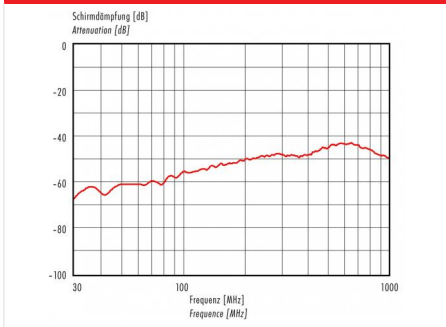
Scale drawing



Contact Arrangement



Attenuation characteristic



You can find the item description on the next page.

Technical data

Common values

Connector Design	Female cable connector
Connector locking system	screw
Termination	Solder
Wire gauge (mm)	0.75 mm ²
Wire gauge (AWG)	20
Cable outlet	6 - 7.8 mm
Upper temperature	85 °C
Lower temperature	-40 °C

Electrical values

Rated voltage	250 V
Rated impulse voltage	1500 V
Pollution degree	1
Overvoltage category	I
Material group	III
Rated current (40°C)	7 A
Volume resistivity	≤ 5 mΩ
EMV compliance	shielded
Degree of protection	IP40
Mechanical operation	> 500 mating cycles

Material

Material of contact	CuSn (Bronze)
Contact plating	Ag (Silver)
Material of contact body	PBT (UL 94 V-0)
Material of housing	CuZn (Brass nickel-plated)

Contacts: 3 DIN, female cable connector with cable clamp, shieldable, cable outlet 6 - 8 mm, silver plated contacts

Product sheet
Miniature connector

Product	Contacts: 3 DIN, Female cable connector with cable clamp, shieldable, cable outlet	Area	M16 IP40 Series 581
Pole	6 - 8 mm	Article number	99 2006 20 03
	3 DIN		

Item description

