

# Product sheet

## Subminiature connector

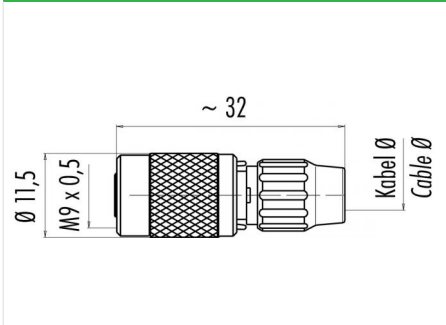


Product	<b>Contacts: 2, female cable connector</b>	Area	<b>M9 IP40 Series 711</b>
Pole	<b>2</b>	Article number	<b>99 0072 100 02</b>

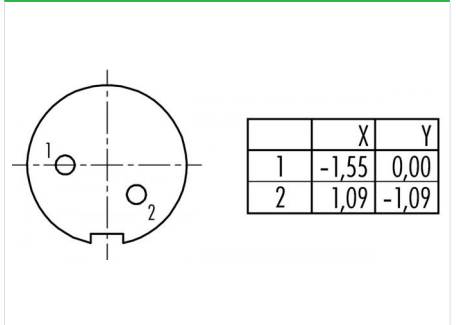
### Illustration



### Scale drawing



### Contact Arrangement



You can find the item description on the next page.

## Technical data

### Common values

Connector Design	Female cable connector
Connector locking system	screw
Termination	Solder
Wire gauge (mm)	0.25 mm <sup>2</sup>
Wire gauge (AWG)	24
Cable outlet	3 - 4 mm
Upper temperature	85 °C
Lower temperature	-40 °C

### Cable data

material housing	-
Insulation single lead	-
Single lead structure	-
Conductor resistance	-

### Electrical values

Rated voltage	125 V
Rated impulse voltage	1500 V
Pollution degree	1
Overvoltage category	II
Material group	III
Rated current (40°C)	4 A
Volume resistivity	≤ 3 mΩ
EMV compliance	not shieldable
Degree of protection	IP40
Mechanical operation	> 500 mating cycles

### Material

Material of contact	CuSn (Bronze)
Contact plating	Au (Gold)
Material of contact body	PA (UL 94 V-0)
Material of housing	PA (UL 94 VH-B)

Contacts: 2, female cable connector, cable outlet 3 -4 mm

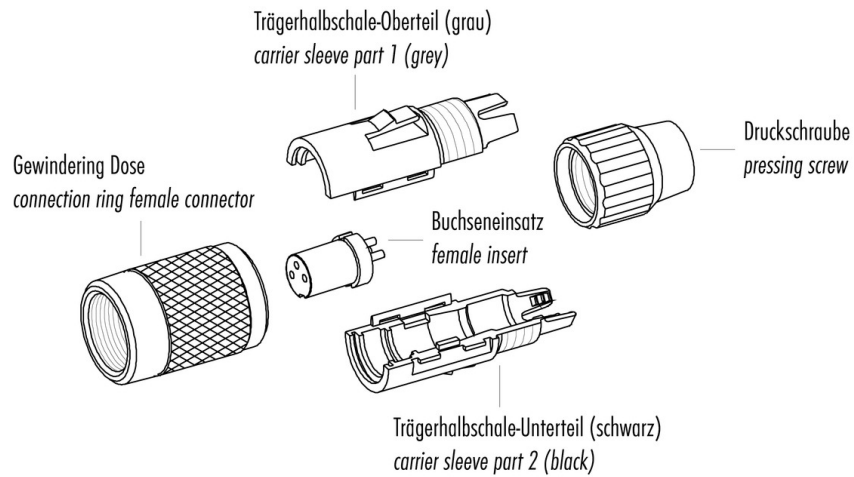
Product  
Pole

Contacts: 2, female cable connector  
2

Area  
Article number

M9 IP40 Series 711  
99 0072 100 02

### Item description



**Achtung:** max. Drehmoment des Gewinderings im Flanschsteckverbinder: 50cNm (handfest)  
**Attention:** max. torque of ring nut in socket connector: 50cNm (manual adjustment)