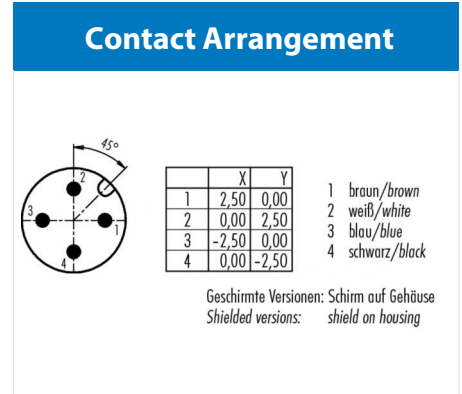
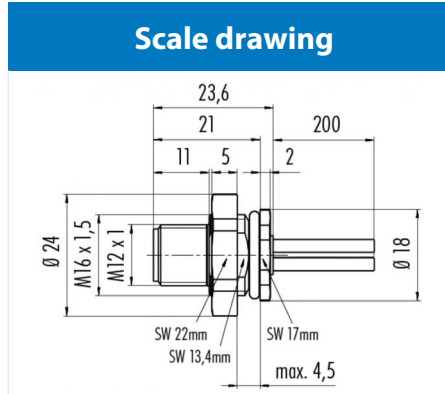


Product **Polzahl 4: Male panel mount connector, front fastened, with single wires, AWG 16**  
 Area **M12-A Series 713/763**  
 Article number **76 0631 1015 00004-0200**



**You can find the assembly instruction on the next page.**

## Technical data

### General features

Connector Design male panel mount connector  
 Connector locking system bolted  
 Termination Strands  
 Wire gauge (mm) 1,5mm<sup>2</sup>  
 Wire gauge (AWG) 16  
 Upper temperature 85 °C  
 Lower temperature -40 °C

### Electrical parameters

Rated voltage 250 V  
 Rated impulse voltage 2500 V  
 Pollution degree 3  
 Overvoltage category II  
 Material group II  
 Rated current (40°C) 8A  
 Volume resistivity ≤ 3 mΩ  
 EMV compliance not shielded  
 Degree of protection IP68  
 Mechanical operation > 100 Mating cycles

### Material

Material of contact CuZn (Messing)  
 Contact plating Au (gold)  
 Material of contact body PA

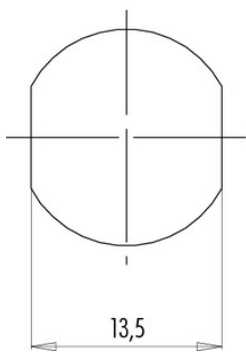
Product **Polzahl 4: Male panel mount connector, front fastened, with single wires, AWG 16**

Area **M12-A Series 713/763**  
Article number **76 0631 1015 00004-0200**

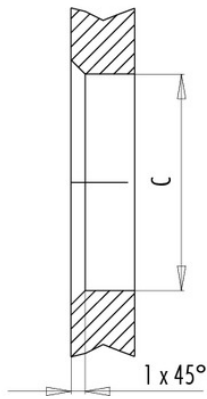
**Installation instructions / Mounting cutout**

Mit Fläche als Verdrehschutz  
With flats as anti-rotation device

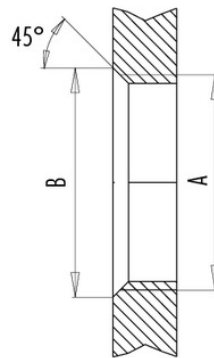
PG 9/M16 x 1,5



Mit Durchgangsbohrung  
With bore hole



Mit Gewinde, einschraubbar  
With thread to screw in



alternativ/alternativ

	A	B	C
PG 9	PG 9	16,2	15,3
PG 13,5	PG 13,5	21,5	20,5
M16x1,5	M16x1,5	17,0	16,1
M20x1,5	M20x1,5	21,0	20,1

Anzugsdrehmoment/Tightening moment

Metallgehäuse/Metal housing 6,25 Nm  
Kunststoffgehäuse/Plastic housing 3,75 Nm