

**Product sheet**  
**Miniature connector**

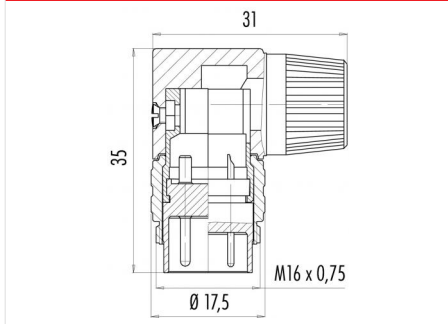


Product	<b>Contacts: 5, Male angled connector, cable outlet 6 - 8 mm, plastic model</b>	Area	<b>M16 IP40 Series 682</b>
Pole	<b>5</b>	Article number	<b>09 0139 78 05</b>

**Illustration**



**Scale drawing**



**Contact Arrangement**

	X	Y
1	3,03	-1,75
2	3,03	1,75
3	0,00	3,50
4	-3,03	1,75
5	-3,03	-1,75

You can find the item description on the next page.

**Technical data**

**Common values**

Connector Design	Male angled connector
Connector locking system	screw
Termination	Solder
Wire gauge (mm)	0.75 mm <sup>2</sup>
Wire gauge (AWG)	20
Cable outlet	6 - 7.8 mm
Upper temperature	85 °C
Lower temperature	-40 °C

**Electrical values**

Rated voltage	250 V
Rated impulse voltage	1500 V
Pollution degree	1
Overvoltage category	I
Material group	III
Rated current (40°C)	6 A
Volume resistivity	≤ 3 mΩ
EMV compliance	not shielded
Degree of protection	IP40
Mechanical operation	> 500 mating cycles

**Material**

Material of contact	CuZn (Brass)
Contact plating	Au (Gold)
Material of contact body	PBT (UL 94 V-0)
Material of housing	PA (UL 94 HB)

**Contacts: 5, Male angled connector, cable outlet 6 - 8 mm, plastic model, gold plated contacts**

# Product sheet

## Miniature connector



Product

**Contacts: 5, Male angled connector, cable outlet 6 - 8 mm, plastic model**  
5

Area  
Article number

**M16 IP40 Series 682**  
**09 0139 78 05**

Pole

### Item description

