

# Product sheet

## Miniature connector

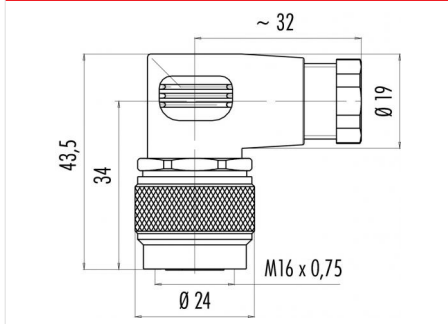


Product	<b>Contacts: 6 DIN, female angled connector, cable outlet 4 - 6 mm</b>	Area	<b>M16 IP67 Series 723</b>
Pole	<b>6 DIN</b>	Article number	<b>99 0122 106 06</b>

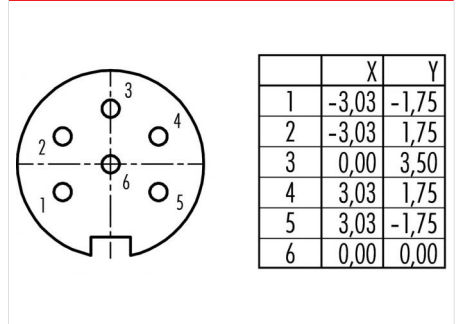
### Illustration



### Scale drawing



### Contact Arrangement



You can find the item description on the next page.

## Technical data

### Common values

Connector Design	Female angled connector
Connector locking system	screw
Termination	Solder
Wire gauge (mm)	0.75 mm <sup>2</sup>
Wire gauge (AWG)	20
Cable outlet	4 - 6 mm
Upper temperature	95 °C
Lower temperature	-40 °C

### Electrical values

Rated voltage	250 V
Rated impulse voltage	1500 V
Pollution degree	1
Overvoltage category	I
Material group	III
Rated current (40°C)	5 A
Volume resistivity	≤ 5 mΩ
EMV compliance	not shielded
Degree of protection	IP67
Mechanical operation	> 500 mating cycles

### Material

Material of contact	CuSn (Bronze)
Contact plating	Ag (Silver)
Material of contact body	PBT (UL 94 V-0)
Material of housing	PA (UL 94 HB)

Contacts: 6 DIN, Female angled connector, cable outlet 4 - 6 mm, silver plated contacts

Product	<b>Contacts: 6 DIN, female angled connector, cable outlet 4 - 6 mm</b>	Area	<b>M16 IP67 Series 723</b>
Pole	<b>6 DIN</b>	Article number	<b>99 0122 106 06</b>

Item description

