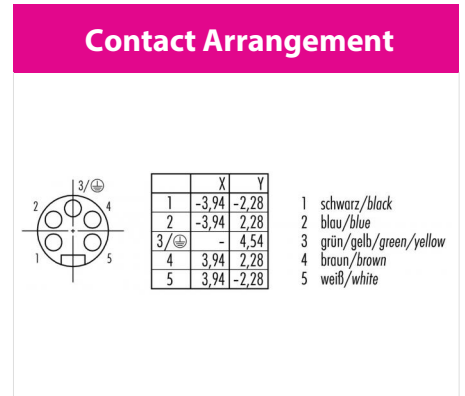
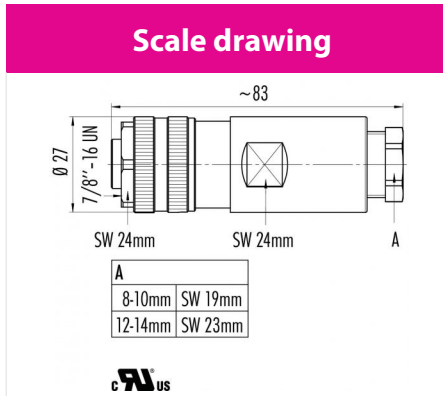


Product	Contacts: 4+PE, Female cable connector, cable outlet 8 - 10 mm, 12 - 14 mm, with UL approval	Area	7/8" Series 820
Pole	4+PE	Article number	99 2444 43 05



You can find the item description and assembly instruction on the next page.

Technical data

Common values

Connector Design	Female cable connector
Connector locking system	Screws 7/8" - 16 UN
Termination	Screwing
Wire gauge (mm)	max. 2.5 mm ²
Wire gauge (AWG)	max. 14
Cable outlet	12 - 14 mm
Upper temperature	85 °C
Lower temperature	-25 °C

Cable data

material housing	-
Insulation single lead	-
Single lead structure	-
Conductor resistance	-
Bending radius cable fixed	-
Bending radius cable movable	-

Electrical values

Rated voltage	300 V
Rated impulse voltage	4000 V
Pollution degree	3
Overvoltage category	III
Material group	III
Rated current (40°C)	9 A
Volume resistivity	≤ 3 mΩ
EMV compliance	not shielded
Degree of protection	IP67
Mechanical operation	> 50 mating cycles

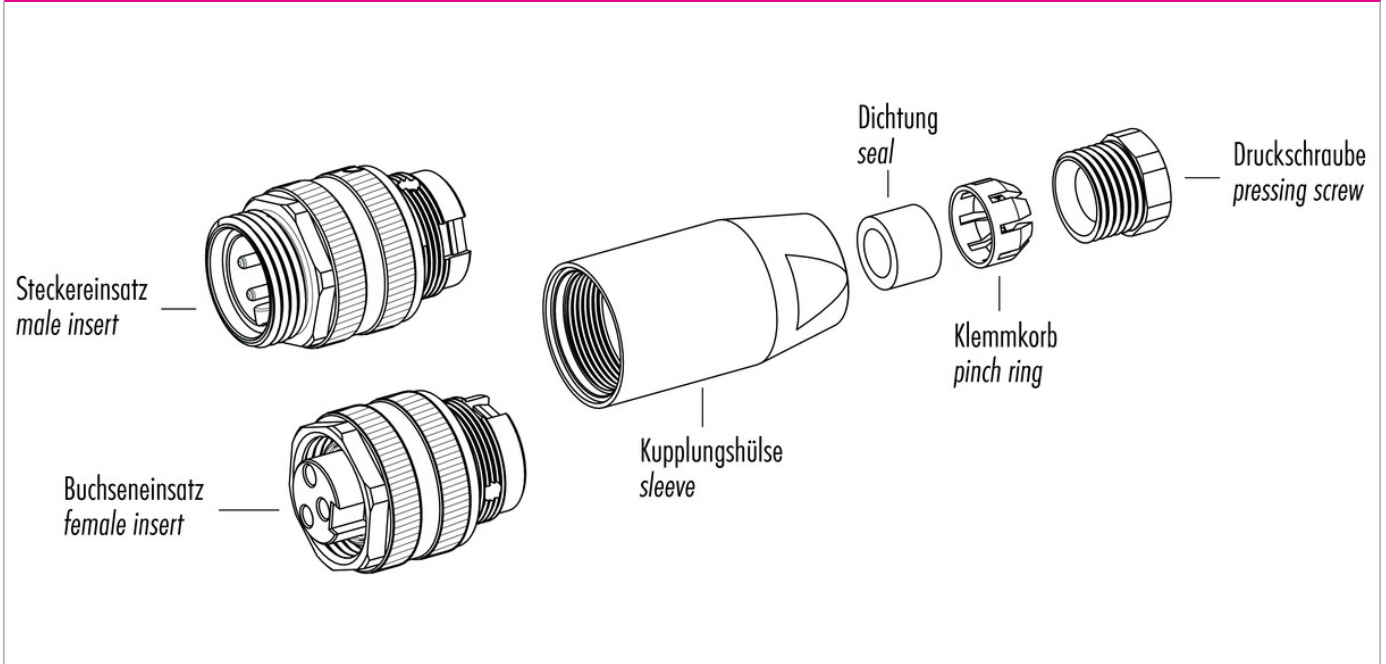
Material

Material of contact	CuZn (Brass)
Contact plating	Au (Gold)
Material of contact body	PUR, PA (UL 94 HB)
Material of housing	PBT (UL 94 V-0)

cable outlet: 12 – 14 mm, cross-section: 2.5 mm², Contacts: 4+PE, female cable connector with UL approval

Product	Contacts: 4+PE, Female cable connector, cable outlet 8 - 10 mm, 12 - 14 mm, with UL approval	Area	7/8" Series 820
Pole	4+PE	Article number	99 2444 43 05

Item description



Installation instructions / Mounting cutout

