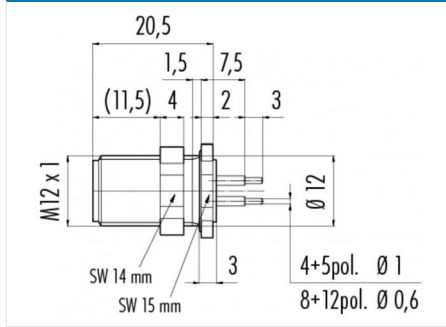


Product **Contacts: 4, Male panel mount connector, screwed from front, dip-soldered, M12 x 1, contact length 10.5 mm**
 Area **M12-A Series 713/763**
 Article number **86 1031 1100 00004**

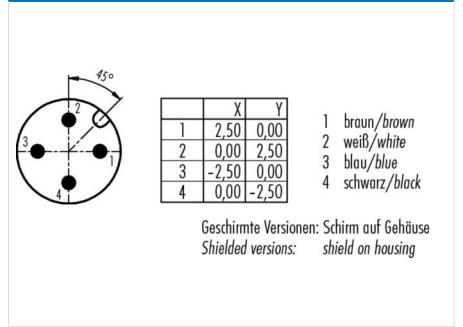
Illustration



Scale drawing



Contact Arrangement



You can find the assembly instruction on the next page.

Technical data

General features

Connector Design male panel mount connector
 Connector locking system bolted
 Termination dip-solder
 Upper temperature 85 °C
 Lower temperature -40 °C

Cable data

Approval 1 UL

Electrical parameters

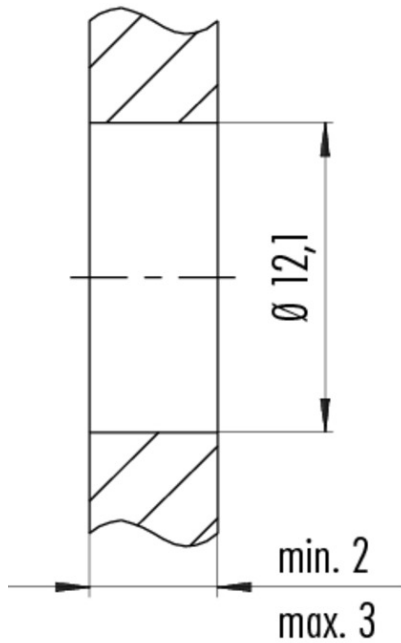
Rated voltage 250 V
 Rated impulse voltage 2500 V
 Pollution degree 3
 Overvoltage category II
 Material group II
 Rated current (40°C) 4 A
 Volume resistivity ≤ 3 mΩ
 EMV compliance not shielded
 Degree of protection IP68
 Mechanical operation > 50 Mating cycles

Material

Material of contact CuZn (Messing)
 Contact plating Au (gold)
 Material of contact body PA

Product **Contacts: 4, Male panel mount connector, screwed from front, dip-soldered, M12 x 1, contact length 10.5 mm**
Area **M12-A Series 713/763**
Article number **86 1031 1100 00004**

Installation instructions / Mounting cutout



Anzugsdrehmoment / *Tightening moment*
M12 x 1 6,25 Nm